

Copyright © Decowell Automation

Changes in content due to our ongoing product upgrades are subject to change without notice.

V241212-002

**DECOWELL**<sup>®</sup>

# RS Series Multifunction All-in-One I/O

Leading Performance, Stability and Reliability

Decowell • Reliable Partner for Industrial Intelligence



Nanjing Decowell Automation Co., Ltd.

service hotline

**+86-25-58207959**

Address: Building 13, Ruichuang Intelligent Manufacturing Park, No. 19 Lanxin Road, Pukou District, Nanjing, China

Email: [contact@decowell.com](mailto:contact@decowell.com)

Website: [www.decowell.com](http://www.decowell.com)



About Us .....	02
Honor .....	03
Products .....	05
Product Naming Rules .....	06
Product Characteristics .....	07
Product Size .....	10
Interface Description .....	10
Product Parameters .....	11
EC2 base technical parameters .....	11
PN2 base technical parameters .....	13
EI2 base technical parameters .....	15
CI2 base technical parameters .....	17
CL2 base technical parameters .....	19
MT2 base technical parameters .....	21
Terminal block technical parameters .....	23
Panel data parameters .....	24
Product Model Checklist .....	34
Attachment .....	46
Product Application Industry .....	47
Our services .....	48

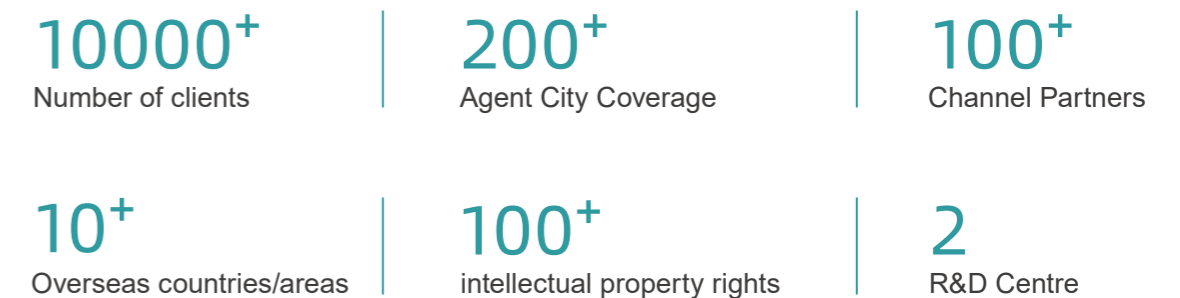


Founded in 2016, Nanjing Decowell Automation Co., Ltd. is a national high-tech enterprise integrating technology research and development, production and sales and service. The company is committed to providing industrial bus solutions with I/O modules as the core. As a leading automation service provider in China, Decowell Automation products are widely used in 3C, new energy, logistics, food, medicine, automotive, environmental protection, teaching and learning, rail transportation, machine tools, metallurgy, chemical industry and other industries.

Headquartered in Nanjing, Jiangsu Province, Decowell Automation has set up dual R&D centers in Wuxi and Nanjing, and has offices in Shanghai, Shenzhen, Guangzhou, Wuhan, Suzhou, Wuxi, Qingdao, Hangzhou, Chengdu, Jinan, etc., to ensure supply and after-sales service. Decowell Automation has served more than 5,000 customers at home and abroad, and has established business relationships with many of the world's top 500 companies.

The company has passed the certification of "National High-tech Enterprise", "specialized and new" Enterprise of Jiangsu Province and Nanjing Enterprise Technology Center, and participated in the formulation of national standards such as "Data Space Integration Model of Automation System and Integrated Manufacturing Enterprise" and "Classification and Coding of R&D and Design Resources for Equipment Manufacturing Industry". At present, the company owns more than 100 intellectual property rights, and its products have passed UL certification, CE certification and product consistency certification of ETG, PI and CLPA.

In the rapid development of automation technology and increasingly fierce market competition today, Decowell Automation advances with the times, constantly increasing the research and development of new technologies and investment, and continues to provide customers with highly reliable industrial bus products and solutions.



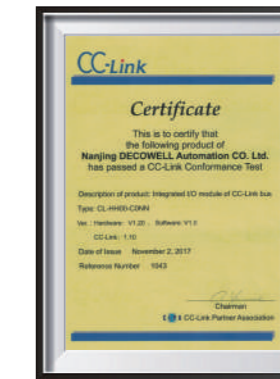
\*The above statistics are as of 2024

# Honours

- 2022 List of Enterprises Selected for the Pilot Project for Integration and Innovation of Industry, Science and Technology and Finance in Jiangbei New Area ("Lingerie Bird Programme");
- Through the "National High-tech Enterprise", "Jiangsu Private Science and Technology Enterprises", "Jiangsu Province, speciality, speciality and new small and medium-sized enterprises" and other honourable titles;
- The products have passed UL certification and CE certification;
- Certified for product conformance by the three major associations, ETG, PI, and CLPA;
- Passed ISO9001, ISO14001, ISO45001 three systems certification;
- Various intellectual property rights 100+



CE Certification



Product conformance certified by ETG, PI, CLPA



UL Certification

ISO9001

ISO14001

ISO45001



Patent Certification

## Products

RS series multifunctional integrated I/O supports various industrial fieldbus protocols, such as EtherCAT, PROFINET, EtherNet/IP, DeviceNet, etc. The I/O modules support up to 32 channels of digital inputs/digital outputs, and the user can choose different I/O module components according to the actual needs, and it provides single-slot and dual-slot chassis with two specifications. The RS series has two types of chassis: single-slot and dual-slot.

RS series bus protocols support 16DI NPN, 16DI PNP, 16DO NPN, 16DO PNP, 8DI8DO NPN, 8DI8DO PNP, 8DO relay.

### Information layer

HMI/Production Management



### Control layer

PLC controller



### Driver layer

Remote I/O

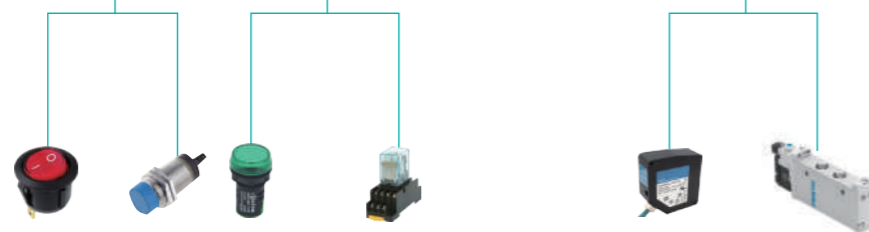


Pushbuttons

Displacement Sensor

Intermediate Relay

Indicator light



## Product Naming Rules

### Chassis Naming Rules

EC2-S1

#### Bus Protocol

- EC2:EtherCAT
- PN2:PROFINET
- EI2: EtherNet/IP
- C12:CC-Link IE Field Basic
- CL2:CC-Link
- DN2:DeciceNet

#### Base Type

- S1: Single Slot Base
- S2: Dual Slot Base

### I/O Module Naming Rules

16DI(N-1)

#### Channel Number

- 8/16

#### Channel Type

- DI: Digital Input
- DO: Digital Output

#### Signal Type

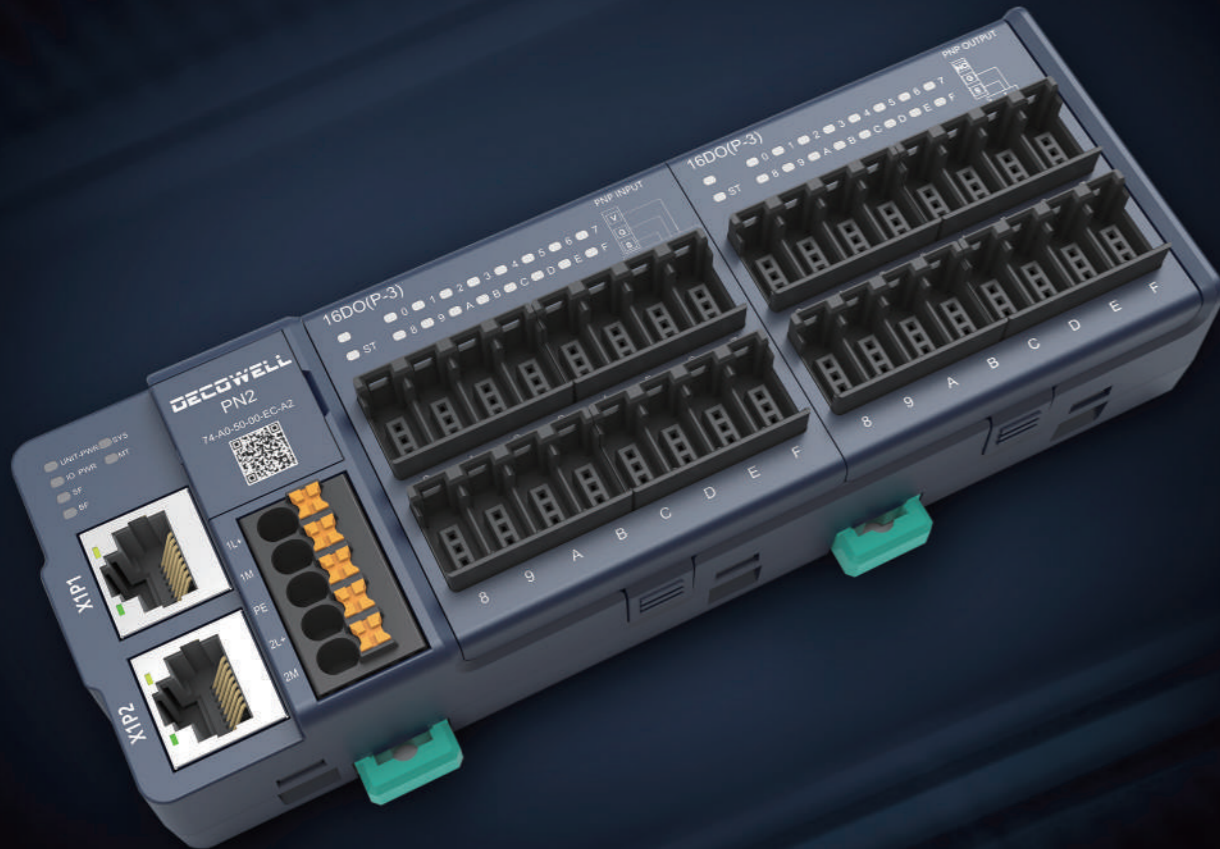
- N:NPN
- P:PNP
- R:Relay

#### Interface Type

- 1: Single row European style terminals
- 2: Trinity Terminals
- 3: E-COM Connector

# Superior performance Quick Installation

## RS Series Multifunction All-in-One I/O

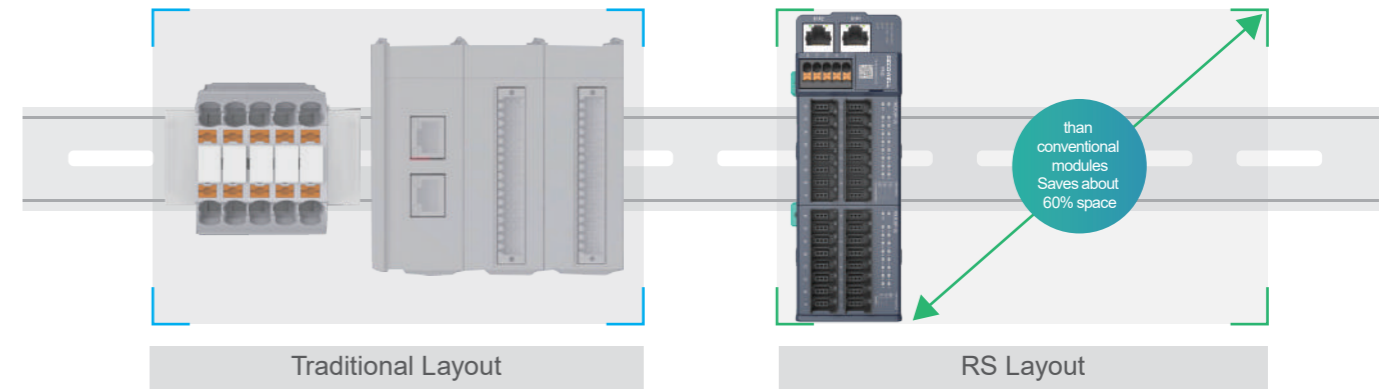


### Product Features

- Supports bus exception output Status Configuration
- Module supports up to 32 digital signal points
- Built-in USB upgrade port Convenient software upgrade
- IO modules support hot-swapping
- Module split design, IO module Support multiple interfaces
- Supports the combination of multi-channel PNP & NPN mixed input and output
- Supports slave loss diagnostics Configuration inconsistency detection
- Support one key to restore factory settings

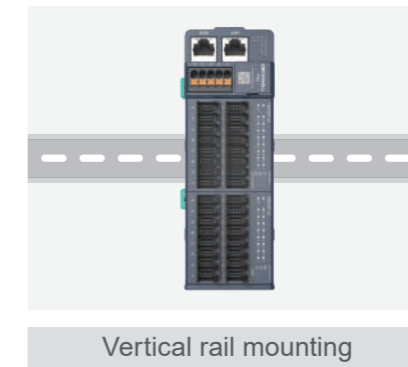
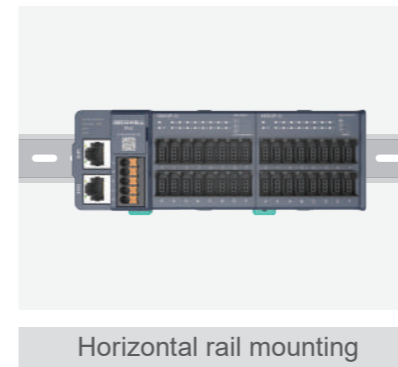
### Small size and space saving

60% saving in installation space



### Installation

Flexible options, three installation methods

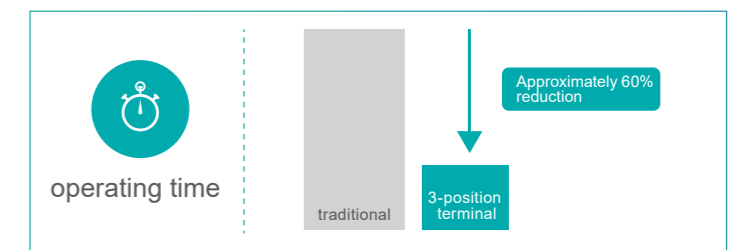


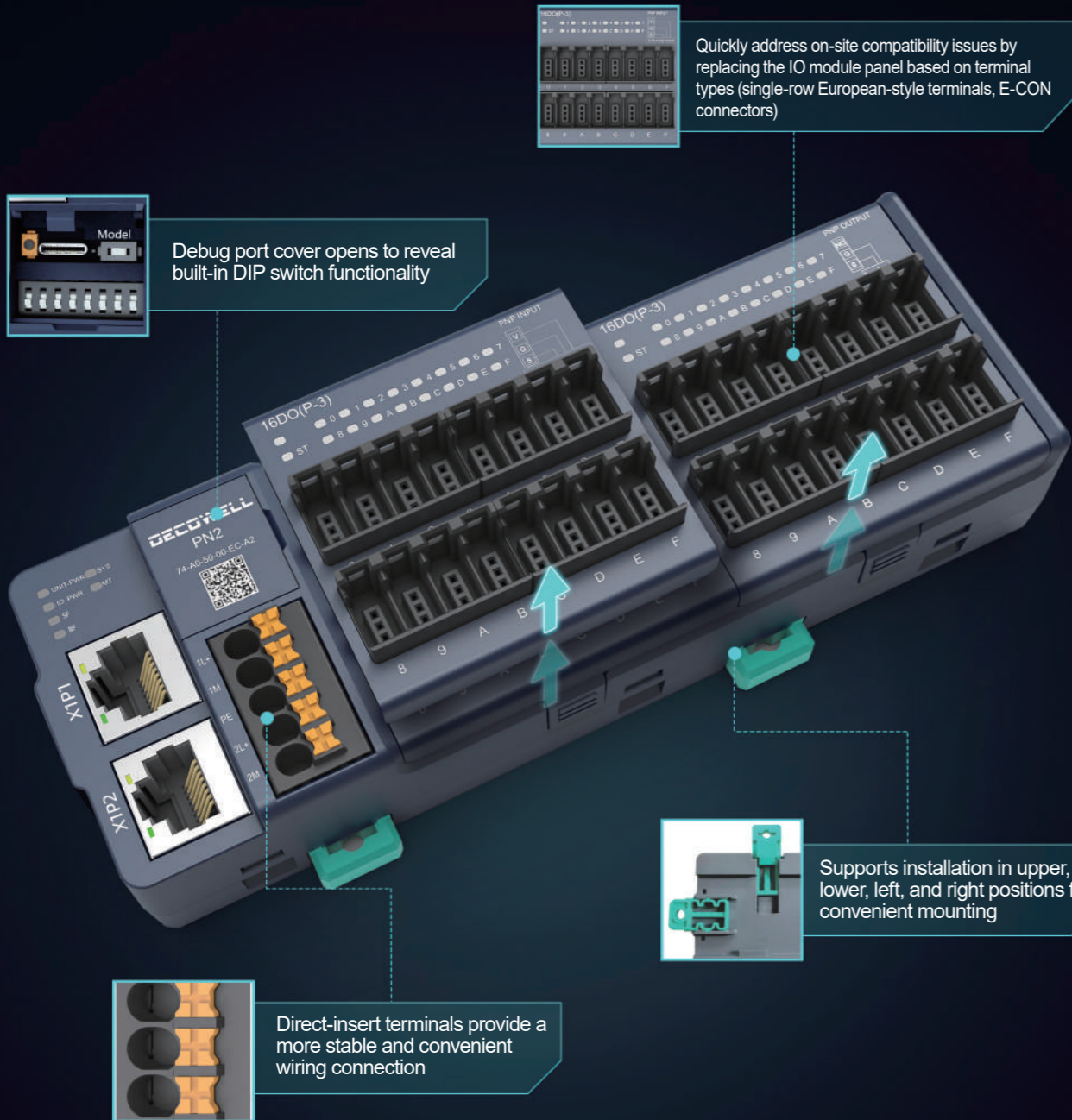
### E-CON Quick Connectors

E-CON Quick Connectors Features

- compactness
- safe and reliable
- Quick Wiring
- space-saving
- long life
- not easily dislodged

Only two steps are required (insertion and crimping) thus drastically reducing the working time by 60%.

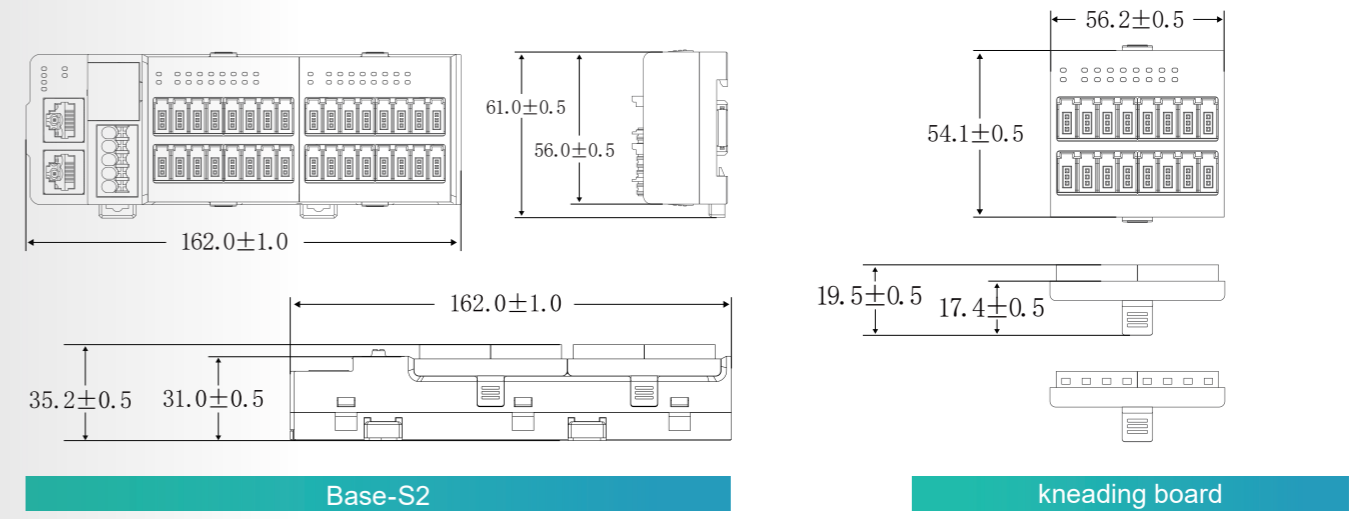
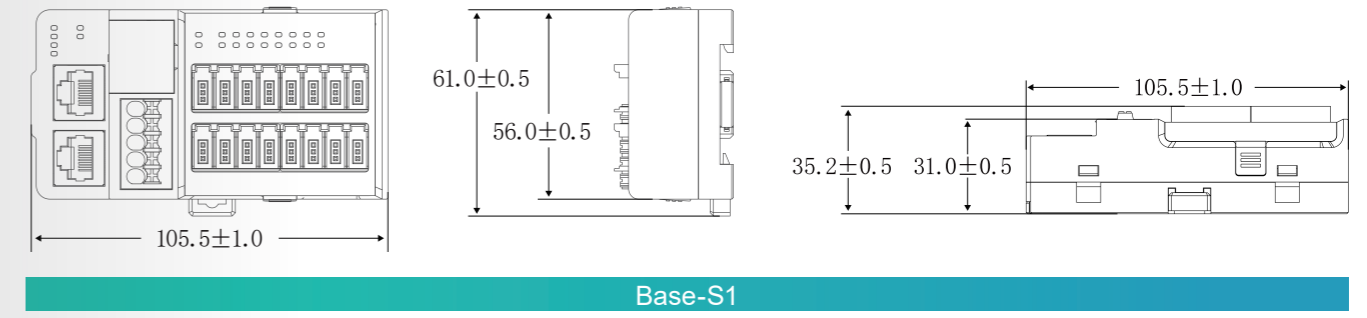




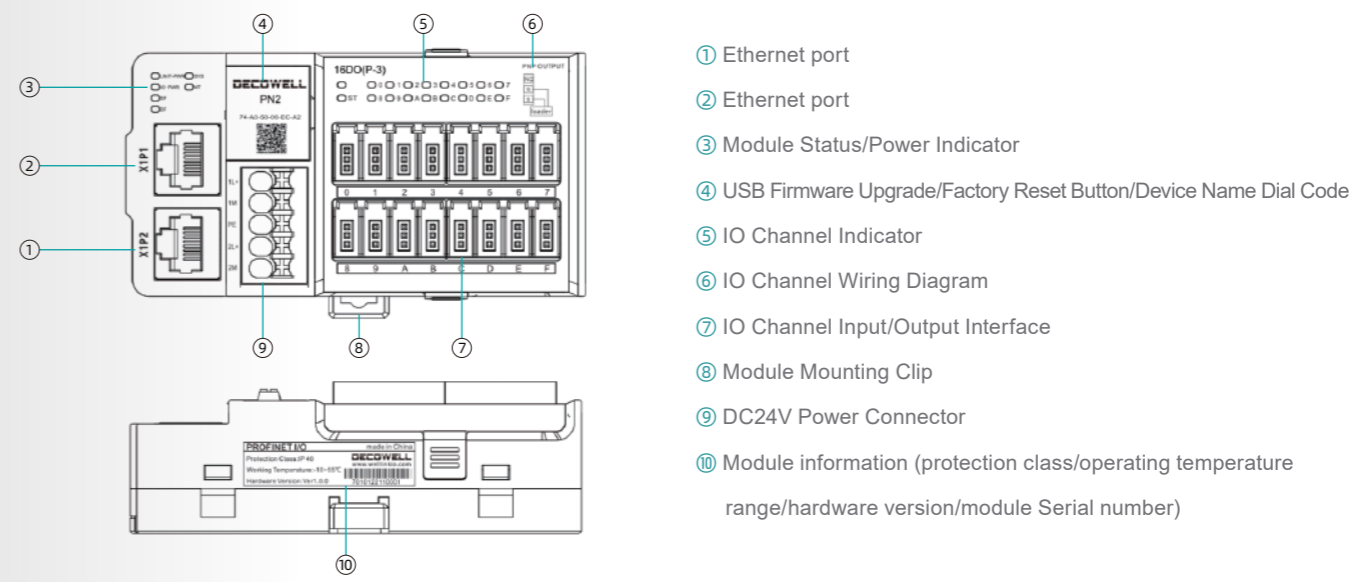
**NEW UPGRADE**

Faster, more stable next-generation I/O systems

## Product Size



## Interface Description



# Product Parameters

## EC2-S1 EC Base Technical Data

Product Model	EC2-S1
---------------	--------



### Technical parameters of communication

Bus protocol	EtherCAT
Communication distance	100m (Station to station distance)
Bus communication rate	100Mbps
Communication period	Depends on EtherCAT master specifications
Refresh method	Free Run, DC Synchronized Run Refresh
Topology	Depends on EtherCAT master specifications
Node address	Configurable 0-192 (valid only if PLC is Omron)
Input/output bytes	128
Enter/Out Mailbox Size	256

### Power supply technical parameters

System power input	DC24V (18~30V)
IO Power Input	DC24V (18~30V)
IO power supply provides current	10A
Overcurrent protection	yes
Anti-reverse connection protection	yes
System-side electrical isolation	yes

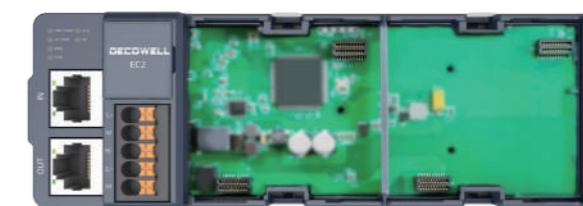
### Environmental parameters

Working environment temperature	-25°C-60°C
Working environment humidity	10%-95% non-condensing
Height of working environment	<2000m
Ambient air	non-corrosive
Protection class	IP40

Note: Faceplate (same terminal type) and S1/S2 chassis are compatible

## EC2-S2 EC Base Technical Data

Product Model	EC2-S2
---------------	--------



### Technical parameters of communication

Bus protocol	EtherCAT
Communication distance	100m (Station to station distance)
Bus communication rate	100Mbps
Communication period	Depends on EtherCAT master specifications
Refresh method	Free Run, DC Synchronized Run Refresh
Topology	Depends on EtherCAT master specifications
Node address	Configurable 0-192 (valid only if PLC is Omron)
Input/output bytes	128
Enter/Out Mailbox Size	256

### Power supply technical parameters

System power input	DC24V (18~30V)
IO Power Input	DC24V (18~30V)
IO power supply provides current	10A
Overcurrent protection	yes
Anti-reverse connection protection	yes
System-side electrical isolation	yes

### Environmental parameters

Working environment temperature	-25°C-60°C
Working environment humidity	10%-95% non-condensing
Height of working environment	<2000m
Ambient air	non-corrosive
Protection class	IP40

Note: Faceplate (same terminal type) and S1/S2 chassis are compatible

**PN2-S1** PN Base Technical Data

Product Model	<b>PN2-S1</b>
---------------	---------------



Technical parameters of communication

Bus protocol	PROFINET
Communication distance	100m (Station to station distance)
Bus communication rate	100Mbps
Communication period	Depends on PROFINET master specifications
Refresh method	Free Run, DC Synchronized Run Refresh
Topology	Depends on PROFINET master specifications
Equipment Name	Dial Code Setting or Software Assignment

Power supply technical parameters

System power input	DC24V (18~30V)
IO Power Input	DC24V (18~30V)
IO power supply provides current	10A
Overcurrent protection	yes
Anti-reverse connection protection	yes
System-side electrical isolation	yes

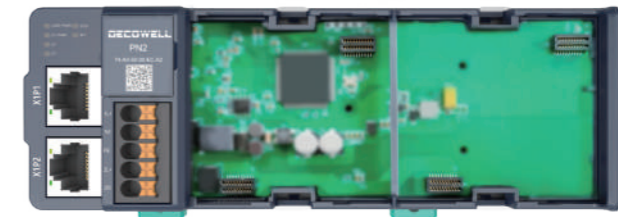
Environmental parameters

Working environment temperature	-25°C-60°C
Working environment humidity	10%-95% non-condensing
Height of working environment	<2000m
Ambient air	non-corrosive
Protection class	IP40

Note: Faceplate (same terminal type) and S1/S2 chassis are compatible

**PN2-S2** PN Base Technical Data

Product Model	<b>PN2-S2</b>
---------------	---------------



Technical parameters of communication

Bus protocol	PROFINET
Communication distance	100m (Station to station distance)
Bus communication rate	100Mbps
Communication period	Depends on PROFINET master specifications
Refresh method	Free Run, DC Synchronized Run Refresh
Topology	Depends on PROFINET master specifications
Equipment Name	Dial Code Setting or Software Assignment

Power supply technical parameters

System power input	DC24V (18~30V)
IO Power Input	DC24V (18~30V)
IO power supply provides current	10A
Overcurrent protection	yes
Anti-reverse connection protection	yes
System-side electrical isolation	yes

Environmental parameters

Working environment temperature	-25°C-60°C
Working environment humidity	10%-95% non-condensing
Height of working environment	<2000m
Ambient air	non-corrosive
Protection class	IP40

Note: Faceplate (same terminal type) and S1/S2 chassis are compatible

### EI2-S1 EI Base Technical Data

Product Model	<b>EI2-S1</b>
---------------	---------------



#### Technical parameters of communication

Bus protocol	EtherNet/IP
Communication distance	100m (Station to station distance)
Bus communication rate	100Mbps
Topology	Depends on EtherNet/IP master specifications
Equipment Name	Software distribution

#### Power supply technical parameters

System power input	DC24V (18~30V)
System power supply provides current	2A
IO Power Input	DC24V (18~30V)
IO power supply provides current	10A
Overcurrent protection	yes
Overpressure protection	ON
Anti-reverse connection protection	yes
System-side electrical isolation	yes

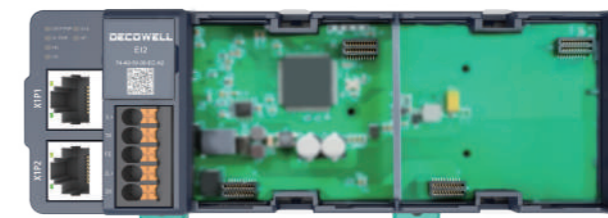
#### Environmental parameters

Working environment temperature	-25°C-60°C
Working environment humidity	10%-95% non-condensing
Height of working environment	<2000m
Ambient air	non-corrosive
EMC Rating	Zone A
Protection class	IP40

Note: Faceplate (same terminal type) and S1/S2 chassis are compatible

### EI2-S2 EI Base Technical Data

Product Model	<b>EI2-S2</b>
---------------	---------------



#### Technical parameters of communication

Bus protocol	EtherNet/IP
Communication distance	100m (Station to station distance)
Bus communication rate	100Mbps
Topology	Depends on EtherNet/IP master specifications
Equipment Name	Software distribution

#### Power supply technical parameters

System power input	DC24V (18~30V)
System power supply provides current	2A
IO Power Input	DC24V (18~30V)
IO power supply provides current	10A
Overcurrent protection	yes
Overpressure protection	ON
Anti-reverse connection protection	yes
System-side electrical isolation	yes

#### Environmental parameters

Working environment temperature	-25°C-60°C
Working environment humidity	10%-95% non-condensing
Height of working environment	<2000m
Ambient air	non-corrosive
EMC Rating	Zone A
Protection class	IP40

Note: Faceplate (same terminal type) and S1/S2 chassis are compatible

### CI2-S1 CI Base Technical Data

Product Model	CI2-S1
---------------	--------



#### Technical parameters of communication

Bus protocol	CC-Link IE Field Basic
Communication distance	100m (Station to station distance)
Bus communication rate	100Mbps

#### Power supply technical parameters

System power input	DC24V (18~30V)
System power supply provides current	2A
IO power input	DC24V (18~30V)
IO power supply provides current	10A
Overcurrent protection	yes
Overpressure protection	ON
Anti-reverse connection protection	yes
System-side electrical isolation	yes

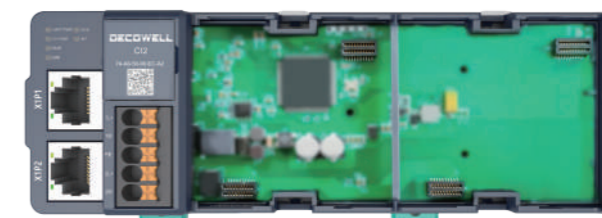
#### Environmental parameters

Working environment temperature	-25°C-60°C
Working environment humidity	10%-95% non-condensing
Height of working environment	<2000m
Ambient air	non-corrosive
EMC Rating	Zone A
Protection class	IP40

Note: Faceplate (same terminal type) and S1/S2 chassis are compatible

### CI2-S2 CI Base Technical Data

Product Model	CI2-S2
---------------	--------



#### Technical parameters of communication

Bus protocol	CC-Link IE Field Basic
Communication distance	100m (Station to station distance)
Bus communication rate	100Mbps

#### Power supply technical parameters

System power input	DC24V (18~30V)
System power supply provides current	2A
IO power input	DC24V (18~30V)
IO power supply provides current	10A
Overcurrent protection	yes
Overpressure protection	ON
Anti-reverse connection protection	yes
System-side electrical isolation	yes

#### Environmental parameters

Working environment temperature	-25°C-60°C
Working environment humidity	10%-95% non-condensing
Height of working environment	<2000m
Ambient air	non-corrosive
EMC Rating	Zone A
Protection class	IP40

Note: Faceplate (same terminal type) and S1/S2 chassis are compatible

### CL2-S1 CL Base Technical Data

Product Model	CL2-S1
---------------	--------



#### Technical parameters of communication

Bus protocol	CC-Link
Baud	156kbps、625 kbps、2.5Mbps、5Mbps、10Mbps
Station number setting range	1~63

#### Power supply technical parameters

System power input	DC24V (18~30V)
System power supply provides current	2A
IO power input	DC24V (18~30V)
IO power supply provides current	10A
Overcurrent protection	yes
Overpressure protection	ON
Anti-reverse connection protection	yes
System-side electrical isolation	yes

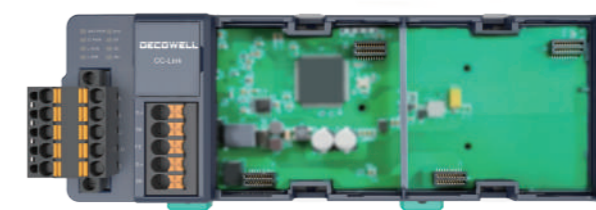
#### Environmental parameters

Working environment temperature	-25℃-60℃
Working environment humidity	10%-95% non-condensing
Height of working environment	<2000m
Ambient air	non-corrosive
EMC Rating	Zone A
Protection class	IP40

Note: Faceplate (same terminal type) and S1/S2 chassis are compatible

### CL2-S2 CL Base Technical Data

Product Model	CL2-S2
---------------	--------



#### Technical parameters of communication

Bus protocol	CC-Link
Baud	156kbps、625 kbps、2.5Mbps、5Mbps、10Mbps
Station number setting range	1~63

#### Power supply technical parameters

System power input	DC24V (18~30V)
System power supply provides current	2A
IO power input	DC24V (18~30V)
IO power supply provides current	10A
Overcurrent protection	yes
Overpressure protection	ON
Anti-reverse connection protection	yes
System-side electrical isolation	yes

#### Environmental parameters

Working environment temperature	-25℃-60℃
Working environment humidity	10%-95% non-condensing
Height of working environment	<2000m
Ambient air	non-corrosive
EMC Rating	Zone A
Protection class	IP40

Note: Faceplate (same terminal type) and S1/S2 chassis are compatible

### MT2-S1 MT Base Technical Data

Product Model	MT2-S1
---------------	--------



#### Technical parameters of communication

bus protocol	Modbus/TCP
communication distance	100m (station to station distance)
Bus communication rate	100Mbps
Input and output maximum bytes	Input: 1024Byte/Output: 1024Byte
Maximum number of client connections	8

#### Power supply technical parameters

System power input	DC24V (18~30V)
System power supply provides current	2A
I/O power input	DC24V (18~30V)
I/O power supply provides current	10A
overcurrent protection	yes
overpressure protection	no
Anti-reverse connection protection	yes
System-side electrical isolation	yes

#### Environmental parameters

Working environment temperature	-25 C-60 C
Working environment humidity	10%-95% non-condensing
Height of working environment	<2000m
Ambient air	non-corrosive
EMC Class	Zone A
protection class	IP40

Note: Faceplate (same terminal type) and S1,S2 chassis are compatible

### MT2-S2 MT Base Technical Data

Product Model	MT2-S1
---------------	--------



#### Technical parameters of communication

bus protocol	Modbus/TCP
communication distance	100m (station to station distance)
Bus communication rate	100Mbps
Input and output maximum bytes	Input: 1024Byte/Output: 1024Byte
Maximum number of client connections	8

#### Power supply technical parameters

System power input	DC24V (18~30V)
System power supply provides current	2A
I/O power input	DC24V (18~30V)
I/O power supply provides current	10A
overcurrent protection	yes
overpressure protection	no
Anti-reverse connection protection	yes
System-side electrical isolation	yes

#### Environmental parameters

Working environment temperature	-25 C-60 C
Working environment humidity	10%-95% non-condensing
Height of working environment	<2000m
Ambient air	non-corrosive
EMC Class	Zone A
protection class	IP40

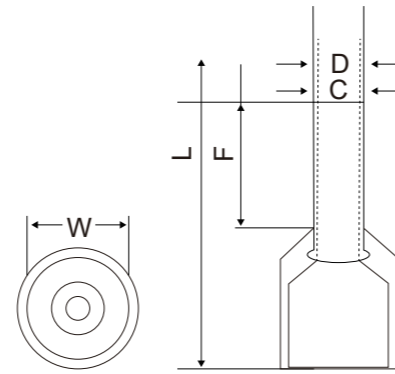
Note: Faceplate (same terminal type) and S1/S2 chassis are compatible

# Terminal block technical parameters

## Cold pressed terminals technical parameters (single row of European style terminals)

- 1) Use 0.08~0.2mm square, 0.3~0.5mm; square cables with an average outside diameter of  $\phi 0.7\sim 1.2\text{mm}$  and  $\phi 1.2\sim 2.0\text{mm}$ ;
- 2) Confirm that the wires can be firmly connected;
- 3) Confirm that the base plate can be firmly connected.

W terminal diameter	L/F terminal length	D line pipe length	National standard /mm <sup>2</sup>	Stripped wire length/mm
2.8-3.0(2.8)	16.4/10	1.3-1.5(1.3)	0.75-1.5 (0.75)	10mm±2



## E-CON terminal technical parameters

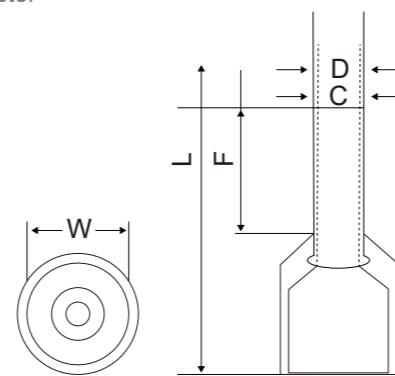
Module Name	Extremity	Applicable Wire Gauge (AWG)	Connection Method
E-CON Quick Connect Terminal	3-pole	$\phi 0.6 \sim 0.8$ (AWG26 ~ 24)	Base Plate
		$\phi 0.8 \sim 1.0$ (AWG26 ~ 24)	
		$\phi 1.2 \sim 1.6$ (AWG22 ~ 20)	
		$\phi 1.6 \sim 2.0$ (AWG22 ~ 20)	

Note: Cables require a temperature rating of 75 degrees or higher.

## Cold pressed terminals application parameters (3-position integrated Euro terminal)

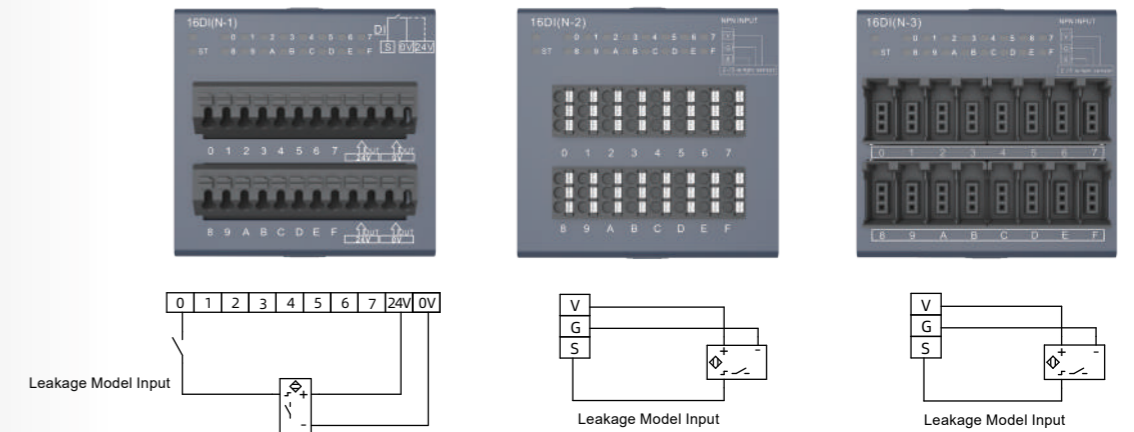
- 1) Use flexible conductors with a cross-section of 0.2-1 mm<sup>2</sup> and a maximum conductor cross-section of AWG18;
- 2) Make sure that the conductor is securely connected;
- 3) Make sure that the base plate is securely connected.

W terminal Diameter (mm)	L Terminal Length (mm)	F terminal Length (mm)	D Line Tube Diameter (mm)	C line pipe Diameter (mm)	National standard /mm <sup>2</sup>	Stripped wire length (mm)
2.5-3.0	14-16.4	8-10	1.3-1.7	1-1.4	0.2-1.7	10±2



## 16DI NPN I/O module technical parameters

Product Model	16DI (N-1)	16DI (N-2)	16DI (N-3)
---------------	------------	------------	------------



### Input technical parameters

Rated Input Voltage	NPN: 0-5V
ON/OFF Response time	11μs
Input filter time	0-10ms, default 3ms
Insulation method	Optocoupler Isolation
Single channel current consumption	0V 5mA

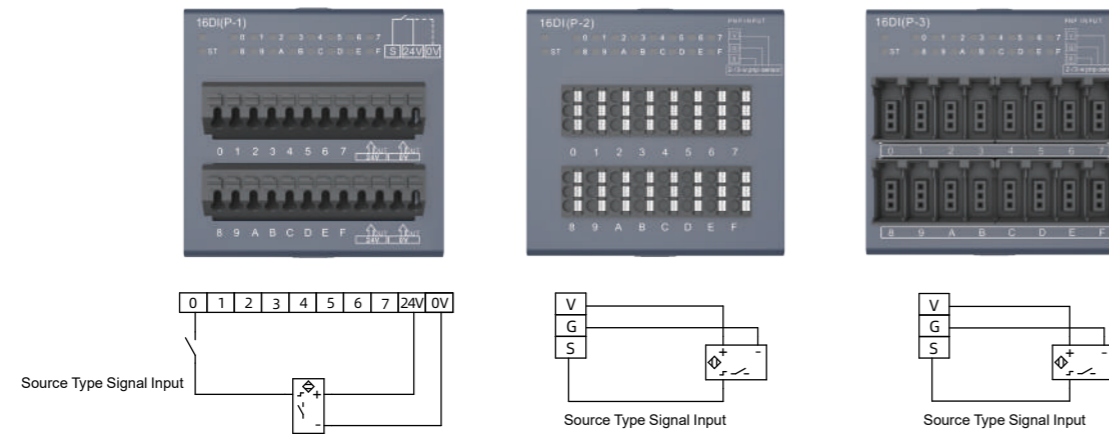
### Environmental parameters

Working environment temperature	-25°C-60°C
Relative humidity of working environment	10-95 per cent non-condensing
Altitude of working environment	<2000m
Storage temperature	-40°C-80°C
Protection class	IP40

Note: Faceplate (same terminal type) and S1/S2 chassis can be matched

16DI PNP I/O module technical parameters

Product Model	16DI (P-1)	16DI (P-2)	16DI (P-3)
---------------	------------	------------	------------



Input technical parameters

Rated Input Voltage	PNP: 15-30V
ON/OFF Response time	11μs
Input filter time	0-10ms, default 3ms
Insulation method	Optocoupler Isolation
Single channel current consumption	24V 5mA

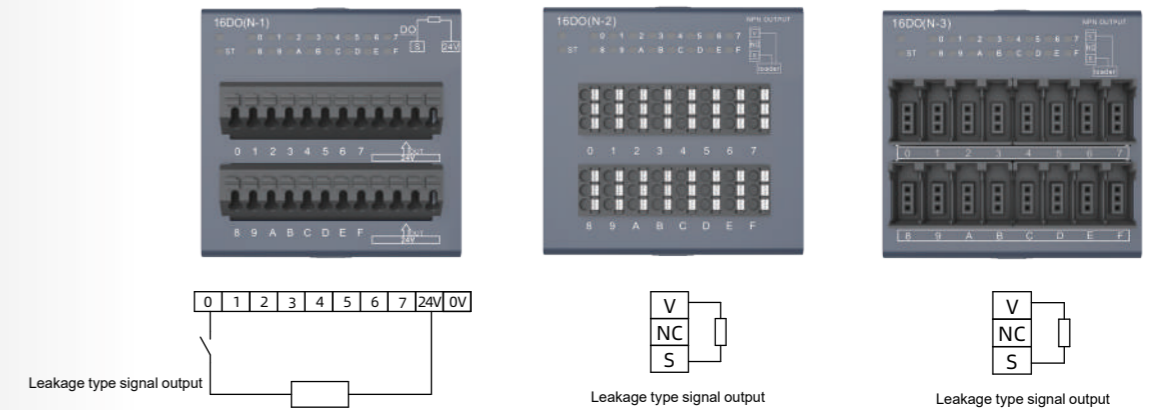
Environmental parameters

Working environment temperature	-25°C-60°C
Relative humidity of working environment	10-95 per cent non-condensing
Altitude of working environment	<2000m
Storage temperature	-40°C-80°C
Protection class	IP40

Note: Faceplate (same terminal type) and S1/S2 chassis can be matched

16DO NPN I/O module technical parameters

Product Model	16DO (N-1)	16DO (N-2)	16DO (N-3)
---------------	------------	------------	------------



Output technical parameters

Rated output voltage	NPN: 0V
Load current max.	0.5A (maximum total load current of 8 consecutive channels 2A)
ON/OFF Response time	11μs
Insulation method	Optocoupler Isolation

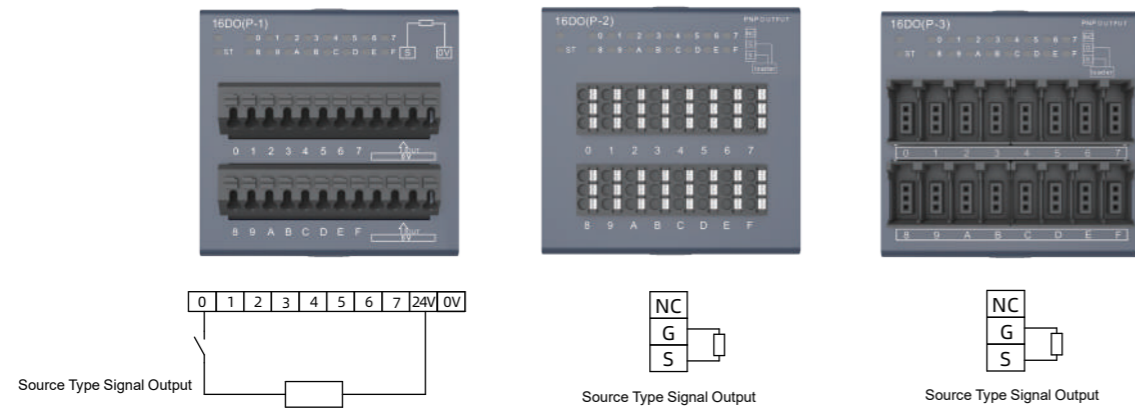
Environmental parameters

Working environment temperature	-25°C-60°C
Relative humidity of working environment	10-95 per cent non-condensing
Altitude of working environment	<2000m
Storage temperature	-40°C-80°C
Protection class	IP40

Note: Faceplate (same terminal type) and S1/S2 chassis can be matched

16DO PNP I/O module technical parameters

Product Model	16DO (P-1)	16DO (P-2)	16DO (P-3)
---------------	------------	------------	------------



Output technical parameters

Rated output voltage	PNP: 24V
Load current max.	0.5A (maximum total load current of 8 consecutive channels 2A)
ON/OFF Response time	20μs
Insulation method	Optocoupler Isolation

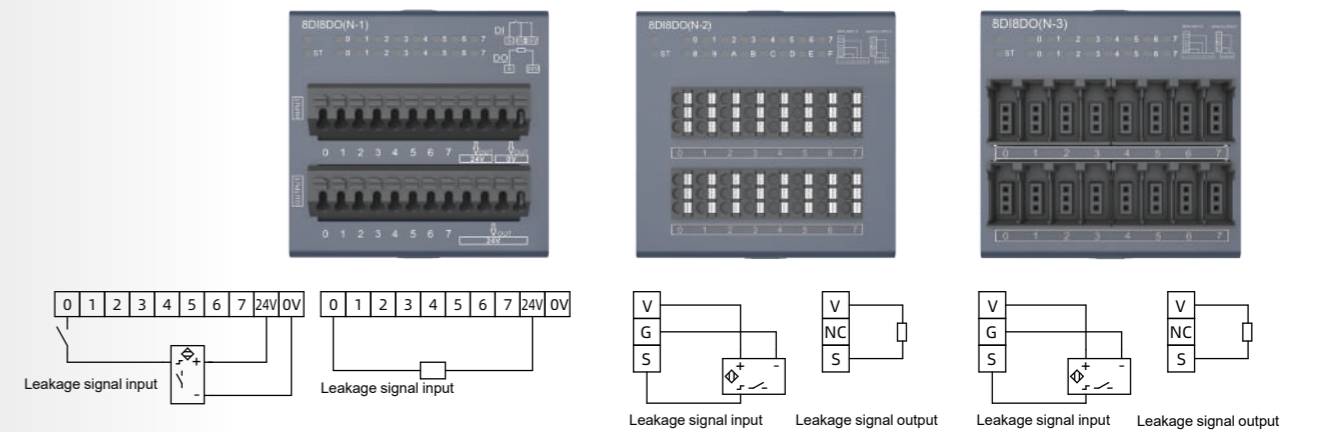
Environmental parameters

Working environment temperature	-25°C-60°C
Relative humidity of working environment	10-95 per cent non-condensing
Altitude of working environment	<2000m
Storage temperature	-40°C-80°C
Protection class	IP40

Note: Faceplate (same terminal type) and S1/S2 chassis can be matched

8DI8DO NPN I/O module technical parameters

Product Model	8DI8DO(N-1)	8DI8DO(N-2)	8DI8DO (N-3)
---------------	-------------	-------------	--------------



Input technical parameters

Rated Input Voltage	NPN: 0-5V
ON/OFF Response time	11μs
Input filter time	0-10ms, default 3ms
Single channel current consumption	0V 5mA
Insulation method	Optocoupler Isolation

Output technical parameters

Rated output voltage	NPN: 0V
ON/OFF Response time	11μs
Load current max.	0.5A (maximum total load current of 8 consecutive channels 2A)
Insulation method	Optocoupler Isolation

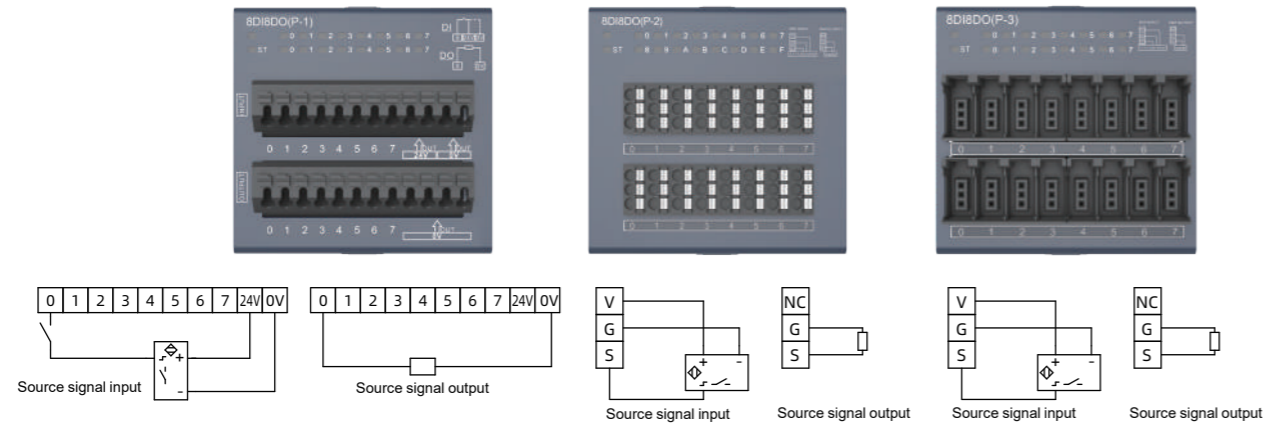
Environmental parameters

Working environment temperature	-25°C-60°C
Relative humidity of working environment	10-95 per cent non-condensing
Altitude of working environment	<2000m
Storage temperature	-40°C-80°C
Protection class	IP40

Note: Faceplate (same terminal type) and S1/S2 chassis can be matched

8DI8DO PNP I/O module technical parameters

Product Model	8DI8DO(P-1)	8DI8DO(P-2)	8DI8DO (P-3)
---------------	-------------	-------------	--------------



Input technical parameters

Rated Input Voltage	PNP: 15-30V
ON/OFF Response time	11μs
Input filter time	0-10ms, default 3ms
Single channel current consumption	24V
Insulation method	Optocoupler Isolation

Output technical parameters

Rated output voltage	PNP: 24V
ON/OFF Response time	11μs
Load current max.	0.5A (maximum total load current of 8 consecutive channels 2A)
Insulation method	Optocoupler Isolation

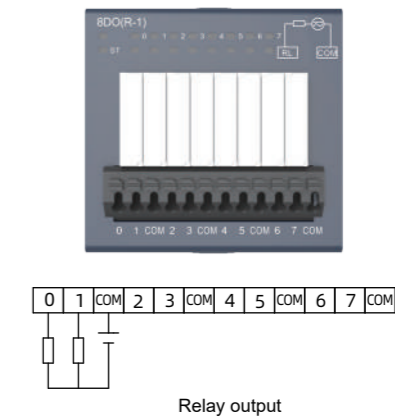
Environmental parameters

Working environment temperature	-25°C-60°C
Relative humidity of working environment	10-95 per cent non-condensing
Altitude of working environment	<2000m
Storage temperature	-40°C-80°C
Protection class	IP40

Note: Faceplate (same terminal type) and S1/S2 chassis can be matched

8DO Relay I/O module technical parameters

Product Model	8DO (R-1)
---------------	-----------



Output technical parameters

Rated output voltage	AC250V/DC30V
Rated voltage	AC250V 5A/DC30V 5A
ON/OFF Response time	≤15ms
Contact type	Normally Open Contacts
Relay Electrical Life	1x10 <sup>5</sup> times (AgNi, 3A AC250V/DC30V, resistive load, 85°C, 1s on 9s off) 5x10 <sup>4</sup> times (AgNi, 5A AC250V/DC30V, resistive load, room temperature, 1s on 9s off)
Input filter time	0-10ms, default 3ms
Relay Mechanical Life	2 x 10 <sup>7</sup> times

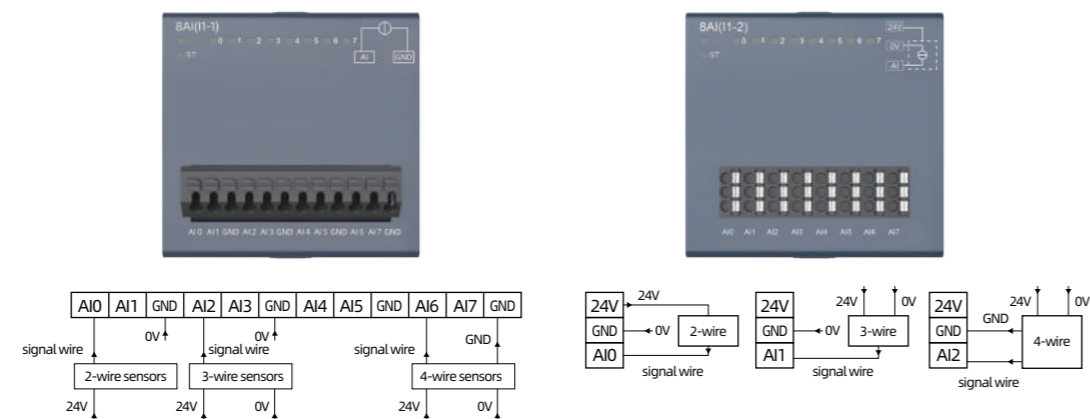
Environmental parameters

Working environment temperature	-25°C-60°C
Relative humidity of working environment	10-95 per cent non-condensing
Altitude of working environment	<2000m
Storage temperature	-40°C-80°C
Protection class	IP40

Note: Faceplate (same terminal type) and S1/S2 chassis can be matched

8AI analog I/O module technical parameters

产品型号	8AI (I1-1)	8AI (I1-2)
------	------------	------------



Output technical parameters

Signal Type	0-20mA, 4-20mA		
Number of input channels	8		
Input Filtering	Configurable: 0-3 levels (default 1)		
Input Impedance	100Ω		
Resolution	12-bit		
Accurate	0.1%		
Data format	S7:0-27648	BF:0-32767	OM:0-30000

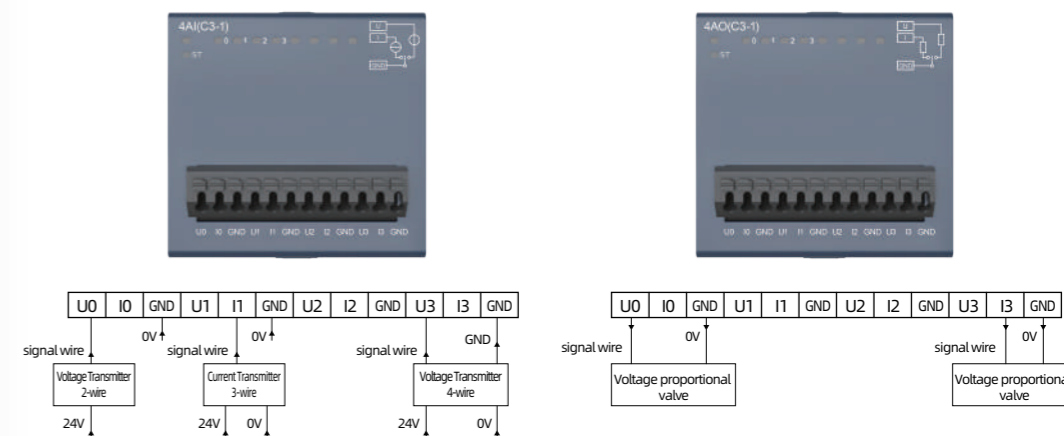
Environmental parameters

Working environment temperature	-25°C-60°C		
Relative humidity of working environment	10-95 per cent non-condensing		
Altitude of working environment	<2000m		
Storage temperature	-40°C-80°C		
Protection class	IP40		

Note: Faceplate (same terminal type) and S1/S2 chassis can be matched

4AI analog I/O module technical parameters

产品型号	4AI(C3-1)	4AO(C3-1)
------	-----------	-----------



Output technical parameters

Signal Type	0-10V±10V 0-20mA/4-20mA		
Number of input channels	4		
Input Filtering	Configurable: 0-3 levels (default 1) /		
Input Impedance	100Ω		
Resolution	16-bit		
Accurate	0.1%		
Data format	S7:0-27648	BF:0-32767	OM:0-30000

Environmental parameters

Working environment temperature	-25°C-60°C		
Relative humidity of working environment	10-95 per cent non-condensing		
Altitude of working environment	<2000m		
Storage temperature	-40°C-80°C		
Protection class	IP40		

Note: Faceplate (same terminal type) and S1/S2 chassis can be matched

# Product Model Checklist

## Naming rules for finished products

04-11-11

### Finished product

- 04: RS Series All-in-One I/O Modules
- 05: RS Series One-Piece I/O Module Assemblies

### Bus protocol

- 1: PROFINET
- 2: EtherCAT
- 3: CC-Link
- 4: DeciceNet(in product planning)
- 5: EtherNet/IP
- 6: CC-Link IE Field Basic

### Interface Type

- 1: Single row Euro terminal
- 2: 3-Position Euro Terminal
- 3: 3-Position E-CON Connector

### Signal Type

- 1: 16DO PNP
- 2: 16DO NPN
- 3: 16DI PNP
- 4: 16DI NPN
- 5: 8DI8DO PNP
- 6: 8DI8DO NPN
- 7: 8DO R-Relays

### Slot Type

- 0: Single slot, see last bit for signal type
- 1: 16DO PNP
- 2: 16DO NPN
- 3: 16DI PNP
- 4: 16DI NPN
- 5: 8DI8DO PNP
- 6: 8DI8DO NPN
- 7: 8DO R-Relays



# Product Model Checklist

**Subassemblies** Note: Different specification panels (same terminal type) and bases can be selected as required.

Pseudolaric acid	Product Model	Specification Description	Part Numbers
EtherCAT Base	EC2-S1	EtherCAT Single Slot Chassis	05-20-01
	EC2-S2	EtherCAT Dual Slot Base	05-20-02
PROFINET Base	PN2-S1	PROFINET Single Slot Chassis	05-10-03
	PN2-S2	PROFINETDual Slot Base	05-10-04
EtherNet/IP Base	EI2-S1	EtherNet/IPSingle Slot Chassis	05-50-01
	EI2-S2	EtherNet/IPDual Slot Base	05-50-02
CC-Link IE Field Basic Base	CI2-S1	CC-Link IE Field Basic Single Slot Base	05-60-01
	CI2-S2	CC-Link IE Field Basic Dual Slot Base	05-60-02
CC-Link Base	CL2-S1	CC-Link Single Slot Docking Station	05-30-01
	CL2-S2	CC-Link Dual Slot Docking Station	05-30-02

Pseudolaric acid	Product Model	Specification Description	Part Numbers
Single Row Euro Terminals Digital Module Panel	16DO(P-1)	16-channel digital output (PNP), single-row Euro-terminal	05-01-01
	16DO(N-1)	16-channel digital output (NPN), single-row Euro-terminal	05-01-02
	16DI(P-1)	16 channels of digital inputs (PNP), single row of Euro terminals	05-01-03
	16DI(N-1)	16 channels of digital inputs (NPN), single row of Euro terminals	05-01-04
	8DI8DO(P-1)	8-channel digital input (PNP), 8-channel digital output (PNP), single-row Euro-terminal	05-01-05
	8DI8DO(N-1)	8-channel digital input (NPN), 8-channel digital output (NPN), single-row Euro-terminal	05-01-06
Relay Digital Module Panel	8DO(R-1)	8-channel relay output, single row Euro terminal	05-01-07

Pseudolaric acid	Product Model	Specification Description	Part Numbers
3-Position Euro Terminal Digital Module Panel	16DO(P-2)	16-channel digital output (PNP), 3-position integrated Euro terminal	05-02-01
	16DO(N-2)	16-channel digital output (NPN), 3-position integrated Euro terminal	05-02-02
	16DI(P-2)	16 channels of digital inputs (PNP), 3-position integrated Euro terminal	05-02-03
	16DI(N-2)	16 channels of digital inputs (NPN), 3-position integrated Euro terminal	05-02-04

Pseudolaric acid	Product Model	Specification Description	Part Numbers
3-Position Euro Terminal Digital Module Panel	8DI8DO(P-2)	8-channel digital input (PNP), 8-channel digital output (PNP), 3-position integrated Euro terminal	05-02-05
	8DI8DO(N-2)	8-channel digital input (NPN), 8-channel digital output (NPN), 3-position integrated Euro terminal	05-02-06

Pseudolaric acid	Product Model	Specification Description	Part Numbers
3-position E-CON connector digital module panel	16DO(P-3)	16-channel digital output (PNP), 3-position E-CON connector	05-03-01
	16DO(N-3)	16-channel digital output (NPN), 3-position E-CON connector	05-03-02
	16DI(P-3)	16-channel digital input (PNP), 3-position E-CON connector	05-03-03
	16DI(N-3)	16-channel digital input (NPN), 3-position E-CON connector	05-03-04
	8DI8DO(P-3)	8-channel digital input (PNP), 8-channel digital output (PNP), 3-position E-CON connector	05-03-05
	8DI8DO(N-3)	8-channel digital input (NPN), 8-channel digital output (NPN), 3-position E-CON connector	05-03-06

Pseudolaric acid	Product Model	Specification Description	Part Numbers
Single row Euro terminal analogue module panel	8AI(I1-1)	8-channel analogue input 0-20mA, 4-20mA, resolution 12bit, accuracy 0.2%, user ranges settable, single-row Euro terminal	05-01-08
	8AI(I1-2)	8-channel analog input 0-20mA, 4-20mA, resolution 12bit, accuracy 0.1%, user range can be set, trinity European terminal	05-02-0E
	4AI(C3-1)	8-channel analogue input 0-20mA, 4-20mA, resolution 12bit, accuracy 0.2%, user ranges settable, single-row Euro terminal	05-01-09
	4AO(C3-1)	8-channel analogue input 0-20mA, 4-20mA, resolution 12bit, accuracy 0.2%, user ranges settable, single-row Euro terminal	05-01-0B

Note: Please contact Deckwell personnel for purchase of single row Euro terminal analogue module panels.

**EC2-S1**RS Series Multifunction All-in-One I/O EtherCAT Bus

Note: The following are EC2-S1 model numbers.

Pseudolaric acid	Product Model	Specification Description	Part Numbers
Single Row Euro Terminals	EC2-8DI8DO(P-1)	EtherCAT 8-channel digital output (PNP), 8-channel digital input (PNP), single-row Euro-terminal	04-21-05
	EC2-8DI8DO(N-1)	EtherCAT 8-channel digital output (NPN), 8-channel digital input (NPN), single-row Euro-terminal	04-21-06
3-Position Integral Euro Terminals	EC2-8DI8DO(P-2)	EtherCAT 8-channel digital input (PNP), 8-channel digital output (PNP), 3-position integrated Euro-terminal	04-22-05
	EC2-8DI8DO(N-2)	EtherCAT 8-channel digital input (PNP), 8-channel digital output (PNP), 3-position integrated Euro-terminal	04-22-06
3-Position E-CON Connector	EC2-8DI8DO(P-3)	EtherCAT 8-channel digital input (PNP), 8-channel digital output (PNP), 3-position E-CON connector	04-23-05
	EC2-8DI8DO(N-3)	EtherCAT 8-channel digital output (NPN), 8-channel digital input (NPN), 3-position E-CON connector	04-23-06

Pseudolaric acid	Product Model	Specification Description	Part Numbers
Single Row Euro Terminals	EC2-8DO(R-1)	EtherCAT 8-channel relay output, single-row Euro terminal	04-21-07

Pseudolaric acid	Product Model	Specification Description	Part Numbers
Single Row Euro Terminals	EC2-16DI(P-1)	EtherCAT 16-channel digital input (PNP), single-row Euro terminal	04-21-03
	EC2-16DI(N-1)	EtherCAT 16-channel digital input (NPN), single-row Euro terminal	04-21-04
3-Position Integral European Style Connector	EC2-16DI(P-2)	EtherCAT 16-channel digital input (PNP), 3-position integrated Euro terminal	04-22-03
	EC2-16DI(N-2)	EtherCAT 16-channel digital input (NPN), 3-position integrated Euro terminal	04-22-04
3-Position E-CON Connector	EC2-16DI(P-3)	EtherCAT 16-channel digital input (PNP), 3-position E-CON connector	04-23-03
	EC2-16DI(N-3)	EtherCAT 16-channel digital input (NPN), 3-position E-CON connector	04-23-04

Pseudolaric acid	Product Model	Specification Description	Part Numbers
Single Row Euro Terminals	EC2-16DO(P-1)	EtherCAT 16-channel digital output (PNP), single-row Euro terminal	04-21-01
	EC2-16DO(N-1)	EtherCAT 16-channel digital output (NPN), single-row Euro terminal	04-21-02
3-Position Integral European Style Connector	EC2-16DO(P-2)	EtherCAT 16-channel digital output (PNP), 3-position integrated Euro terminal	04-22-01
	EC2-16DO(N-2)	EtherCAT 16-channel digital output (NPN), 3-position integrated Euro terminal	04-22-02
3-Position E-CON Connector	EC2-16DO(P-3)	EtherCAT 16-channel digital output (PNP), 3-position E-CON connector	04-23-01
	EC2-16DO(N-3)	EtherCAT 16-channel digital output (NPN), 3-position E-CON connector	04-23-02

**EC2-S2** RS Series Multifunction All-in-One I/O EtherCAT Bus

Note: Different specification panels (same terminal type) can be selected for use with the EC-S2 base as required.

Pseudolaric acid	Product Model	Specification Description	Part Numbers
Single Row Euro Terminals	EC2-16DO(P-1)-16DO(P-1)	EtherCAT 32-channel digital output (PNP), single-row Euro terminal	04-21-11
	EC2-16DI(P-1)-16DO(P-1)	EtherCAT 16-channel digital inputs (PNP), 16-channel digital outputs (PNP), theSingle row Euro terminal	04-21-31
	EC2-16DO(N-1)-16DO(N-1)	EtherCAT 32-channel digital output (NPN), single-row Euro terminal	04-21-22
	EC2-16DI(N-1)-16DO(N-1)	EtherCAT 16-channel digital inputs (NPN), 16-channel digital outputs (NPN), andSingle row Euro terminal	04-21-42
	EC2-16DI(P-1)-16DI(P-1)	EtherCAT 32-channel digital input (PNP), single-row Euro terminal	04-21-33
	EC2-16DI(N-1)-16DI(N-1)	EtherCAT 32-channel digital input (NPN), single row Euro terminal	04-21-44
Relay	EC2-8DO(R-1)-8DO(R-1)	EtherCAT 16-channel relay output, single-row Euro terminal	04-21-77

Pseudolaric acid	Product Model	Specification Description	Part Numbers
3-Position Integral European Style Connector	EC2-16DO(P-2)-16DO(P-2)	EtherCAT 32-channel digital output (PNP), 3-position integrated Euro terminal	04-22-11
	EC2-16DI(P-2)-16DO(P-2)	EtherCAT 32-channel digital output (NPN), 3-position integrated Euro terminal	04-22-31
	EC2-16DO(N-2)-16DO(N-2)	EtherCAT 32-channel digital output (NPN), 3-position integrated Euro terminal	04-22-22
	EC2-16DI(N-2)-16DO(N-2)	EtherCAT 16-channel digital inputs (NPN), 16-channel digital outputs (NPN), the3-position integrated Euro terminal	04-22-42
	EC2-16DI(P-2)-16DI(P-2)	EtherCAT 32-channel digital input (PNP), 3-position integrated Euro terminal	04-22-33
	EC2-16DI(N-2)-16DI(N-2)	EtherCAT 32-channel digital input (NPN), 3-position integrated Euro terminal	04-22-44

Pseudolaric acid	Product Model	Specification Description	Part Numbers
3-Position E-CON Connector	EC2-16DO(P-3)-16DO(P-3)	EtherCAT 32-channel digital output (PNP), 3-position E-CON connector	04-23-11
	EC2-16DI(P-3)-16DO(P-3)	EtherCAT 16-channel digital inputs (PNP), 16-channel digital outputs (PNP)3-position E-CON connector	04-23-31
	EC2-16DO(N-3)-16DO(N-3)	EtherCAT 32-channel digital output (NPN), 3-position E-CON connector	04-23-22
	EC2-16DI(N-3)-16DO(N-3)	EtherCAT 16-channel digital input (NPN), 16-channel digital output (NPN)3-position E-CON connector	04-23-42
	EC2-16DI(P-3)-16DI(P-3)	EtherCAT 32-channel digital input (PNP), 3-position E-CON connector	04-23-33
	EC2-16DI(N-3)-16DI(N-3)	EtherCAT 32-channel digital input (NPN), 3-position E-CON connector	04-23-44

**PN2-S1** RS Series Multifunctional All-in-One I/O PROFINET Bus

Note: The following are PN2-S1 product models.

Pseudolaric acid	Product Model	Specification Description	Part Numbers
Single Row Euro Terminals	PN2-8DI8DO(P-1)	PROFINET 8-channel digital output (PNP), 8-channel digital input (PNP), single-row Euro-terminal	04-11-05
	PN2-8DI8DO(N-1)	PROFINET 8-channel digital output (NPN), 8-channel digital input (NPN), single-row Euro-terminal	04-11-06
3-Position Integral Euro Terminals	PN2-8DI8DO(P-2)	PROFINET 8-channel digital input (PNP), 8-channel digital output (PNP), 3-position integrated Euro-terminal	04-12-05
	PN2-8DI8DO(N-2)	PROFINET 8-channel digital input (NPN), 8-channel digital output (NPN), 3-position integrated Euro-terminal	04-12-06
3-Position E-CON Connector	PN2-8DI8DO(P-3)	PROFINET 8-channel digital input (PNP), 8-channel digital output (PNP), 3-position E-CON connector	04-13-05
	PN2-8DI8DO(N-3)	PROFINET 8-channel digital output (NPN), 8-channel digital input (NPN), 3-position E-CON connector	04-13-06

Pseudolaric acid	Product Model	Specification Description	Part Numbers
Single Row Euro Terminals	PN2-8DO(R-1)	PROFINET 8-channel relay output, single-row Euro terminal	04-11-07
	PN2-8AI(I1-1)	PROFINET 8-channel analogue input 0-20mA, 4-20mA (default), resolution 12bit, accuracy 0.1%.User range can be set, single-row European terminal	04-11-08

Pseudolaric acid	Product Model	Specification Description	Part Numbers
Single Row Euro Terminals	PN2-16DI(P-1)	PROFINET 16-channel digital input (PNP), single-row Euro terminal	04-11-03
	PN2-16DI(N-1)	PROFINET 16-channel digital input (NPN), single-row Euro terminal	04-11-04
3-Position Integral European Style Connector	PN2-16DI(P-2)	PROFINET 16-channel digital input (PNP), 3-position integrated Euro terminal	04-12-03
	PN2-16DI(N-2)	PROFINET 16-channel digital input (NPN), 3-position integrated Euro terminal	04-12-04
3-Position E-CON Connector	PN2-16DI(P-3)	PROFINET 16-channel digital input (PNP), 3-position E-CON connector	04-13-03
	PN2-16DI(N-3)	PROFINET 16-channel digital input (NPN), 3-position E-CON connector	04-13-04

Pseudolaric acid	Product Model	Specification Description	Part Numbers
Single Row Euro Terminals	PN2-16DO(P-1)	PROFINET 16-channel digital output (PNP), single-row Euro terminal	04-11-01
	PN2-16DO(N-1)	PROFINET 16-channel digital output (NPN), single-row Euro terminal	04-11-02
3-Position Integral European Style Connector	PN2-16DO(P-2)	PROFINET 16-channel digital output (PNP), 3-position integrated Euro terminal	04-12-01
	PN2-16DO(N-2)	PROFINET 16-channel digital output (NPN), 3-position integrated Euro terminal	04-12-02
3-Position E-CON Connector	PN2-16DO(P-3)	PROFINET 16-channel digital output (PNP), 3-position E-CON connector	04-13-01
	PN2-16DO(N-3)	PROFINET 16-channel digital output (NPN), 3-position E-CON connector	04-13-02

**PN2-S2** RS Series Multifunctional All-in-One I/O PROFINET Bus

Note: Different specification panels (same terminal type) can be selected for use with the PN2-S2 base as required.

Pseudolaric acid	Product Model	Specification Description	Part Numbers
Single Row Euro Terminals	PN2-16DO(P-1)-16DO(P-1)	PROFINET 8-channel digital output (PNP), 8-channel digital input (PNP), single-row Euro-terminal	04-11-11
	PN2-16DI(P-1)-16DO(P-1)	EtherCAT 8-channel digital output (PNP), 8-channel digital input (PNP), single-row Euro-terminal	04-11-31
	PN2-16DO(N-1)-16DO(N-1)	EtherCAT 8-channel digital output (PNP), 8-channel digital input (PNP), single-row Euro-terminal	04-11-22
	PN2-16DI(N-1)-16DO(N-1)	EtherCAT 8-channel digital output (PNP), 8-channel digital input (PNP), single-row Euro-terminal	04-11-42
	PN2-16DI(P-1)-16DI(P-1)	PROFINET 32-channel digital input (PNP), single-row Euro-terminal	04-11-33
	PN2-16DI(N-1)-16DI(N-1)	PROFINET 32-channel digital input (NPN), single-row Euro terminal	04-11-44
	PN2-8AI(I1-1)-8AI(I1-1)	PROFINET 16-channel analogue input 0-20mA, 4-20mA, resolution 12bit, accuracy 0.1%.User range can be set, single-row European terminal	04-11-88
Relay	PN2-8DO(R-1)-8DO(R-1)	PROFINET 16-channel relay output, single-row Euro terminal	04-11-77

Pseudolaric acid	Product Model	Specification Description	Part Numbers
3-Position Integral European Style Connector	PN2-16DO(P-2)-16DO(P-2)	PROFINET 32-channel digital output (PNP), 3-position integrated Euro terminal	04-12-11
	PN2-16DI(P-2)-16DO(P-2)	PROFINET 16-channel digital inputs (PNP), 16-channel digital outputs (PNP)3-position integrated Euro terminal	04-12-31
	PN2-16DO(N-2)-16DO(N-2)	PROFINET 32-channel digital output (NPN), 3-position integrated Euro terminal	04-12-22
	PN2-16DI(N-2)-16DO(N-2)	PROFINET 16-channel digital inputs (NPN), 16-channel digital outputs (NPN)3-position integrated Euro terminal	04-12-42
	PN2-16DI(P-2)-16DI(P-2)	PROFINET 32-channel digital input (PNP), 3-position integrated Euro terminal	04-12-33
	PN2-16DI(N-2)-16DI(N-2)	PROFINET 32-channel digital input (NPN), 3-position integrated Euro terminal	04-12-44

Pseudolaric acid	Product Model	Specification Description	Part Numbers
3-Position E-CON Connector	PN2-16DO(P-3)-16DO(P-3)	PROFINET 32-channel digital output (PNP), 3-position E-CON connector	04-13-11
	PN2-16DI(P-3)-16DO(P-3)	PROFINET 16-channel digital input (PNP), 16-channel digital output (PNP) 3-position E-CON connector	04-13-31
	PN2-16DO(N-3)-16DO(N-3)	PROFINET 32-channel digital output (NPN), 3-position E-CON connector	04-13-22
	PN2-16DI(N-3)-16DO(N-3)	PROFINET 16-channel digital input (NPN), 16-channel digital output (NPN) 3-position E-CON connector	04-13-42
	PN2-16DI(P-3)-16DI(P-3)	PROFINET 32-channel digital input (PNP), 3-position E-CON connector	04-13-33
	PN2-16DI(N-3)-16DI(N-3)	PROFINET 32-channel digital input (NPN), 3-position E-CON connector	04-13-44

**EI2-S1** RS Series Multifunction All-in-One I/O EtherNet/IP Bus

Note: The following are EI2-S1 product models

Pseudolaric acid	Product Model	Specification Description	Part Numbers
Single Row Euro Terminals	EI2-8DI8DO(P-1)	EtherNet/IP 8-channel digital output (PNP), 8-channel digital input (PNP), single-row Euro-terminal	04-51-05
	EI2-8DI8DO(N-1)	EtherNet/IP 8-channel digital output (NPN), 8-channel digital input (NPN), single-row Euro-terminal	04-51-06
3-Position Integral European Style Connector	EI2-8DI8DO(P-2)	EtherNet/IP 8-channel digital input (PNP), 8-channel digital output (PNP), 3-position integrated Euro-terminal	04-52-05
	EI2-8DI8DO(N-2)	EtherNet/IP 8-channel digital input (NPN), 8-channel digital output (NPN), 3-position integrated Euro-terminal	04-52-06
3-Position E-CON Connector	EI2-8DI8DO(P-3)	EtherNet/IP 8-channel digital input (PNP), 8-channel digital output (PNP), 3-position E-CON connector	04-53-05
	EI2-8DI8DO(N-3)	EtherNet/IP 8-channel digital output (NPN), 8-channel digital input (NPN), 3-position E-CON connector	04-53-06

Pseudolaric acid	Product Model	Specification Description	Part Numbers
Single Row Euro Terminals	EI2-8DO(R-1)	EtherNet/IP 8-channel relay output, single row Euro terminal	04-51-07
	EI2-8AI(I1-1)	EtherNet/IP 8-channel analogue input 0-20mA, 4-20mA (default), resolution 12bit, accuracy 0.1%.User ranges can be set, single-row European terminals	04-51-08

Pseudolaric acid	Product Model	Specification Description	Part Numbers
Single Row Euro Terminals	EI2-16DI(P-1)	EtherNet/IP 16-channel digital input (PNP), single-row Euro-terminal	04-51-03
	EI2-16DI(N-1)	EtherNet/IP 16-channel digital input (NPN), single-row Euro-terminal	04-51-04
3-Position Integral European Style Connector	EI2-16DI(P-2)	EtherNet/IP 16-channel digital input (PNP), 3-position integrated Euro terminal	04-52-03
	EI2-16DI(N-2)	EtherNet/IP 16-channel digital input (NPN), 3-position integrated Euro terminal	04-52-04
3-Position E-CON Connector	EI2-16DI(P-3)	EtherNet/IP 16-channel digital input (PNP), 3-position E-CON connector	04-53-03
	EI2-16DI(N-3)	EtherNet/IP 16-channel digital input (NPN), 3-position E-CON connector	04-53-04

Pseudolaric acid	Product Model	Specification Description	Part Numbers
Single Row Euro Terminals	EI2-16DO(P-1)	EtherNet/IP 16-channel digital output (PNP), single-row Euro-terminal	04-51-01
	EI2-16DO(N-1)	EtherNet/IP 16-channel digital output (NPN), single-row Euro terminal	04-51-02
3-Position Integral European Style Connector	EI2-16DO(P-2)	EtherNet/IP 16-channel digital output (PNP), 3-position integral Euro terminal	04-52-01
	EI2-16DO(N-2)	EtherNet/IP 16-channel digital output (NPN), 3-position integrated Euro terminal	04-52-02
3-Position E-CON Connector	EI2-16DO(P-3)	EtherNet/IP 16-channel digital output (PNP), 3-position E-CON connector	04-53-01
	EI2-16DO(N-3)	EtherNet/IP 32-channel digital input (NPN), 3-position E-CON connector	04-53-02

**EI2-S2** RS Series Multifunction All-in-One I/O EtherNet/IP Bus

Note: Different specification panels (same terminal type) can be selected for use with the EI2-S2 base as required.

Pseudolaric acid	Product Model	Specification Description	Part Numbers
Single Row Euro Terminals	EI2-16DO(P-1)-16DO(P-1)	EtherNet/IP 32-channel digital output (PNP), single-row Euro-terminal	04-51-11
	EI2-16DI(P-1)-16DO(P-1)	EtherNet/IP 16-channel digital inputs (PNP), 16-channel digital outputs (PNP)Single row Euro terminal	04-51-31
	EI2-16DO(N-1)-16DO(N-1)	EtherNet/IP 32-channel digital output (NPN), single-row Euro-terminal	04-51-22
	EI2-16DI(N-1)-16DO(N-1)	EtherNet/IP 16-channel digital input (NPN), 16-channel digital output (NPN), andSingle row Euro terminal	04-51-42
	EI2-16DI(P-1)-16DI(P-1)	EtherNet/IP 32-channel digital input (PNP), single-row Euro-terminal	04-51-33
	EI2-16DI(N-1)-16DI(N-1)	EtherNet/IP 32-channel digital input (NPN), single-row Euro-terminal	04-51-44
	EI2-8AI(I1-1)-8AI(I1-1)	EtherNet/IP 16-channel analogue inputs 0-20mA, 4-20mA, 12bit resolution, 0.1% accuracy.User ranges can be set, single row of European terminals	04-51-88
Relay	EI2-8DO(R-1)-8DO(R-1)	EtherNet/IP 16-channel relay output, single-row Euro terminal	04-51-77

Pseudolaric acid	Product Model	Specification Description	Part Numbers
3-Position Integral European Style Connector	EI2-16DO(P-2)-16DO(P-2)	EtherNet/IP 32-channel digital output (PNP), 3-position integrated Euro terminal	04-52-11
	EI2-16DI(P-2)-16DO(P-2)	EtherNet/IP 16-channel digital input (PNP), 16-channel digital output (PNP) 3-position integrated Euro terminal	04-52-31
	EI2-16DO(N-2)-16DO(N-2)	EtherNet/IP 32-channel digital output (NPN), 3-position integrated Euro terminal	04-52-22
	EI2-16DI(N-2)-16DO(N-2)	EtherNet/IP 16-channel digital input (NPN), 16-channel digital output (NPN) 3-position integrated Euro terminal	04-52-42
	EI2-16DI(P-2)-16DI(P-2)	EtherNet/IP 32-channel digital input (PNP), 3-position integrated Euro terminal	04-52-33
	EI2-16DI(N-2)-16DI(N-2)	EtherNet/IP 32-channel digital input (NPN), 3-position integrated Euro terminal	04-52-44

Pseudolaric acid	Product Model	Specification Description	Part Numbers
3-Position E-CON Connector	EI2-16DO(P-3)-16DO(P-3)	EtherNet/IP 32-channel digital output (PNP), 3-position E-CON connector	04-53-11
	EI2-16DI(P-3)-16DO(P-3)	EtherNet/IP 16-channel digital inputs (PNP), 16-channel digital outputs (PNP) 3-position E-CON connector	04-53-31
	EI2-16DO(N-3)-16DO(N-3)	EtherNet/IP 32-channel digital output (NPN), 3-position E-CON connector	04-53-22
	EI2-16DI(N-3)-16DO(N-3)	EtherNet/IP 16-channel digital input (NPN), 16-channel digital output (NPN) 3-position E-CON connector	04-53-42
	EI2-16DI(P-3)-16DI(P-3)	EtherNet/IP 32-channel digital input (PNP), 3-position E-CON connector	04-53-33
	EI2-16DI(N-3)-16DI(N-3)	EtherNet/IP 32-channel digital input (NPN), 3-position E-CON connector	04-53-44

**CI2-S1** RS Series Multifunction All-in-One I/O CC-Link IE Field Basic Bus

Note: The following are CI2-S1 product models.

Pseudolaric acid	Product Model	Specification Description	Part Numbers
Single Row Euro Terminals	CI2-8DI8DO(P-1)	CC-Link IE Field Basic 8-channel digital output (PNP), 8-channel digital input (PNP), single-row Euro-terminal	04-61-05
	CI2-8DI8DO(N-1)	CC-Link IE Field Basic 8-Channel Digital Output (NPN), 8-Channel Digital Input (NPN), Single Row Euro Terminal	04-61-06
3-Position Integral European Style Connector	CI2-8DI8DO(P-2)	CC-Link IE Field Basic IE Field Basic 8-channel digital input (PNP), 8-channel digital output (PNP), 3-position integrated Euro terminal	04-62-05
	CI2-8DI8DO(N-2)	CC-Link IE Field Basic IE Field Basic 8-channel digital input (NPN), 8-channel digital output (NPN), 3-position integrated Euro terminal	04-62-06
3-Position E-CON Connector	CI2-8DI8DO(P-3)	CC-Link IE Field Basic 8-channel digital input (PNP), 8-channel digital output (PNP), 3-position E-CON connector	04-63-05
	CI2-8DI8DO(N-3)	CC-Link IE Field Basic 8-channel digital output (NPN), 8-channel digital input (NPN), 3-position E-CON connector	04-63-06

Pseudolaric acid	Product Model	Specification Description	Part Numbers
Single Row Euro Terminals	CI2-8DO(R-1)	CC-Link IE Field Basic 8-Channel Relay Output, Single Row Euro Terminal	04-61-07
	CI2-8AI(I1-1)	CC-Link IE Field Basic IE Field Basic 8-channel analogue input 0-20mA, 4-20mA (default).12bit resolution, 0.1% accuracy, user settable range, single row Euro terminal	04-61-08

Pseudolaric acid	Product Model	Specification Description	Part Numbers
Single Row Euro Terminals	CI2-16DI(P-1)	CC-Link IE Field Basic 16-channel digital input (PNP), single row Euro terminal	04-61-03
	CI2-16DI(N-1)	CC-Link IE Field Basic 16-channel digital input (PNP), 3-position E-CON connector	04-61-04
3-Position Integral European Style Connector	CI2-16DI(P-2)	CC-Link IE Field Basic 16-channel digital input (PNP), 3-position E-CON connector	04-62-03
	CI2-16DI(N-2)	CC-Link IE Field Basic 16-channel digital input (PNP), 3-position E-CON connector	04-62-04
3-Position E-CON Connector	CI2-16DI(P-3)	CC-Link IE Field Basic 16-channel digital input (PNP), 3-position E-CON connector	04-63-03
	CI2-16DI(N-3)	CC-Link IE Field Basic 16-channel digital input (NPN), 3-position E-CON connector	04-63-04

Pseudolaric acid	Product Model	Specification Description	Part Numbers
Single Row Euro Terminals	CI2-16DO(P-1)	CC-Link IE Field Basic 16-channel digital output (PNP), single row Euro terminal	04-61-01
	CI2-16DO(N-1)	CC-Link IE Field Basic 16-channel digital output (NPN), single row Euro terminal	04-61-02
3-Position Integral European Style Connector	CI2-16DO(P-2)	CC-Link IE Field Basic 16-channel digital output (PNP), 3-position integrated Euro terminal	04-62-01
	CI2-16DO(N-2)	CC-Link IE Field Basic 16-channel digital output (NPN), 3-position integrated Euro terminal	04-62-02
3-Position E-CON Connector	CI2-16DO(P-3)	CC-Link IE Field Basic 16-channel digital output (PNP), 3-position E-CON connector	04-63-01
	CI2-16DO(N-3)	CC-Link IE Field Basic 16-channel digital output (NPN), 3-position E-CON connector	04-63-02

**CI2-S2 RS Series Multifunction All-in-One I/O CC-Link IE Field Basic Bus**

Note: Different specification panels (same terminal type) can be selected for use with the CI2-S2 base as required.

Pseudolaric acid	Product Model	Specification Description	Part Numbers
Single Row Euro Terminals	CI2-16DO(P-1)-16DO(P-1)	CC-Link IE Field Basic 32-channel digital output (PNP), single-row Euro terminal	04-61-11
	CI2-16DI(P-1)-16DO(P-1)	CC-Link IE Field Basic 16-channel digital input (PNP), 16-channel digital output(PNP), Single Row Euro Terminals	04-61-31
	CI2-16DO(N-1)-16DO(N-1)	CC-Link IE Field Basic 32-channel digital output (NPN), single row Euro terminal	04-61-22
	CI2-16DI(N-1)-16DO(N-1)	CC-Link IE Field Basic 16-channel digital input (NPN), 16-channel digital output(NPN), Single Row Euro Terminals	04-61-42
	CI2-16DI(P-1)-16DI(P-1)	CC-Link IE Field Basic 32-channel digital input (PNP), single row Euro terminal	04-61-33
	CI2-16DI(N-1)-16DI(N-1)	CC-Link IE Field Basic 32-channel digital input (NPN), single row Euro terminal	04-61-44
	CI2-8AI(I1-1)-8AI(I1-1)	CC-Link IE Field Basic 16-channel analogue input 0-20mA, 4-20mA, 12bit resolution.Accuracy 0.1%, user ranges can be set, single-row Euro terminal	04-61-88
Relay	CI2-8DO(R-1)-8DO(R-1)	CC-Link IE Field Basic 16-Channel Relay Output, Single Row Euro Terminal	04-61-77

Pseudolaric acid	Product Model	Specification Description	Part Numbers
3-Position Integral European Style Connector	CI2-16DO(P-2)-16DO(P-2)	CC-Link IE Field Basic 32-channel digital output (PNP), 3-position integrated Euro terminal	04-62-11
	CI2-16DI(P-2)-16DO(P-2)	CC-Link IE Field Basic 16-channel digital input (PNP), 16-channel digital output(PNP), 3-Position Integral Euro Terminal	04-62-31
	CI2-16DO(N-2)-16DO(N-2)	CC-Link IE Field Basic 32-channel digital output (NPN), 3-position integrated Euro terminal	04-62-22
	CI2-16DI(N-2)-16DO(N-2)	CC-Link IE Field Basic 16-channel digital input (NPN), 16-channel digital output(NPN), 3-Position Integral Euro Terminal	04-62-42
	CI2-16DI(P-2)-16DI(P-2)	CC-Link IE Field Basic 32-channel digital input (PNP), 3-position integrated Euro terminal	04-62-33
	CI2-16DI(N-2)-16DI(N-2)	CC-Link IE Field Basic 32-channel digital input (NPN), 3-position integrated Euro terminal	04-62-44

Pseudolaric acid	Product Model	Specification Description	Part Numbers
3-Position E-CON Connector	CI2-16DO(P-3)-16DO(P-3)	CC-Link IE Field Basic 32-channel digital output (PNP), 3-position E-CON connector	04-63-11
	CI2-16DI(P-3)-16DO(P-3)	CC-Link IE Field Basic 16-channel digital input (PNP), 16-channel digital output(PNP), 3-position E-CON connector	04-63-31
	CI2-16DO(N-3)-16DO(N-3)	CC-Link IE Field Basic 32-channel digital output (NPN), 3-position E-CON connector	04-63-22
	CI2-16DI(N-3)-16DO(N-3)	CC-Link IE Field Basic 16-channel digital input (NPN), 16-channel digital output(NPN), 3-Position E-CON Connector	04-63-42
	CI2-16DI(P-3)-16DI(P-3)	CC-Link IE Field Basic 32-channel digital input (PNP), 3-position E-CON connector	04-63-33
	CI2-16DI(N-3)-16DI(N-3)	CC-Link IE Field Basic 32-channel digital input (NPN), 3-position E-CON connector	04-63-44

**CL2-S1 RS Series Multifunction All-in-One I/O CC-Link Bus**

Note: The following are CL2-S1 model numbers.

Pseudolaric acid	Product Model	Specification Description	Part Numbers
Single Row Euro Terminals	CL2-8DI8DO(P-1)	CC-Link 8-Channel Digital Output (PNP), 8-Channel Digital Input (PNP), Single Row Euro Terminal	04-31-05
	CL2-8DI8DO(N-1)	CC-Link 8-Channel Digital Output (NPN), 8-Channel Digital Input (NPN), Single Row Euro Terminal	04-31-06
3-Position Integral European Style Connector	CL2-8DI8DO(P-2)	CC-Link 8-channel digital input (PNP), 8-channel digital output (PNP), 3-position integrated Euro-terminal	04-32-05
	CL2-8DI8DO(N-2)	CC-Link 8-channel digital input (NPN), 8-channel digital output (NPN), 3-position integrated Euro terminal	04-32-06
3-Position E-CON Connector	CL2-8DI8DO(P-3)	CC-Link 8-channel digital output (PNP), 8-channel digital input (PNP), 3-position E-CON connector	04-33-05
	CL2-8DI8DO(N-3)	CC-Link 8-channel digital output (NPN), 8-channel digital input (NPN), 3-position E-CON connector	04-33-06

Pseudolaric acid	Product Model	Specification Description	Part Numbers
Single Row Euro Terminals	CL2-8DO(R-1)	CC-Link 8-Channel Relay Output, Single Row Euro Terminal	04-31-07
	CL2-8AI(I1-1)	CC-Link 8-channel analogue input 0-20mA, 4-20mA (default), resolution 12bit, accuracy 0.1%.User range can be set, single-row European terminal	04-31-08

Pseudolaric acid	Product Model	Specification Description	Part Numbers
Single Row Euro Terminals	CL2-16DI(P-1)	CC-Link 16-channel digital input (PNP), single-row Euro-terminal	04-31-03
	CL2-16DI(N-1)	CC-Link 16-Channel Digital Input (NPN), Single Row Euro Terminal	04-31-04
3-Position Integral European Style Connector	CL2-16DI(P-2)	CC-Link 16-channel digital input (PNP), 3-position integrated Euro terminal	04-32-03
	CL2-16DI(N-2)	CC-Link 16-channel digital input (NPN), 3-position integrated Euro terminal	04-32-04
3-Position E-CON Connector	CL2-16DI(P-3)	CC-Link 16-channel digital input (PNP), 3-position E-CON connector	04-33-03
	CL2-16DI(N-3)	CC-Link 16-channel digital input (NPN), 3-position E-CON connector	04-33-04

Pseudolaric acid	Product Model	Specification Description	Part Numbers
Single Row Euro Terminals	CL2-16DO(P-1)	CC-Link 16-Channel Digital Output (PNP), Single Row Euro Terminal	04-31-01
	CL2-16DO(N-1)	CC-Link 16 Channel Digital Output (NPN), Single Row Euro Terminal	04-31-02
3-Position Integral European Style Connector	CL2-16DO(P-2)	CC-Link 16-channel digital output (PNP), 3-position integrated Euro terminal	04-32-01
	CL2-16DO(N-2)	CC-Link 16-channel digital output (NPN), 3-position integrated Euro terminal	04-32-02
3-Position E-CON Connector	CL2-16DO(P-3)	CC-Link 16-channel digital output (PNP), 3-position E-CON connector	04-33-01
	CL2-16DO(N-3)	CC-Link 16-channel digital output (NPN), 3-position E-CON connector	04-33-02

**CL2-S2 RS Series Multifunction All-in-One I/O CC-Link Bus**

Note: Different specification panels (same terminal type) can be selected for use with the CL2-S2 base as required.



Pseudolaric acid	Product Model	Specification Description	Part Numbers
Single Row Euro Terminals	CL2-16DO(P-1)-16DO(P-1)	CC-link 32-channel digital output (PNP), single-row Euro terminal	04-31-11
	CL2-16DI(P-1)-16DO(P-1)	CC-Link 16-channel digital inputs (PNP), 16-channel digital outputs (PNP), and Single row Euro terminal	04-31-31
	CL2-16DO(N-1)-16DO(N-1)	CC-link 32-channel digital output (NPN), single-row Euro terminal	04-31-22
	CL2-16DI(N-1)-16DO(N-1)	CC-link 16-channel digital inputs (NPN), 16-channel digital outputs (NPN), and Single row Euro terminal	04-31-42
	CL2-16DI(P-1)-16DI(P-1)	CC-link 32-channel digital input (PNP), single-row Euro terminal	04-31-33
	CL2-16DI(N-1)-16DI(N-1)	CC-link 32-channel digital input (NPN), single-row Euro terminal	04-31-44
	CL2-8AI(I1-1)-8AI(I1-1)	CC-Link 16-channel analog input 0-20mA, 4-20mA, resolution 12bit , accuracy 0.1%.User range can be set, single-row European terminal	04-31-88
Relay	CL2-8DO(R-1)-8DO(R-1)	CC-link 16-Channel Relay Output, Single Row Euro Terminal	04-31-77

Pseudolaric acid	Product Model	Specification Description	Part Numbers
3-Position Integral European Style Connector	CL2-16DO(P-2)-16DO(P-2)	CC-link 32-channel digital output (PNP), 3-position integrated Euro terminal	04-32-11
	CL2-16DI(P-2)-16DO(P-2)	CC-link 16-channel digital input (PNP), 16-channel digital output (PNP), the 3-position integrated Euro terminal	04-32-31
	CL2-16DO(N-2)-16DO(N-2)	CC-link 32-channel digital output (NPN), 3-position integrated Euro terminal	04-32-22
	CL2-16DI(N-2)-16DO(N-2)	CC-link 16-channel digital input (NPN), 16-channel digital output (NPN), and 3-position integrated Euro terminal	04-32-42
	CL2-16DI(P-2)-16DI(P-2)	CC-link 32-channel digital input (PNP), 3-position integrated Euro terminal	04-32-33
	CL2-16DI(N-2)-16DI(N-2)	CC-link 32-channel digital input (NPN), 3-position integrated Euro terminal	04-32-44

Pseudolaric acid	Product Model	Specification Description	Part Numbers
3-Position E-CON Connector	CL2-16DO(P-3)-16DO(P-3)	CC-link 32-channel digital output (PNP), 3-position E-CON connector	04-33-11
	CL2-16DI(P-3)-16DO(P-3)	CC-link 16-channel digital input (PNP), 16-channel digital output (PNP), the 3-position E-CON connector	04-33-31
	CL2-16DO(N-3)-16DO(N-3)	CC-link 32-channel digital output (NPN), 3-position E-CON connector	04-33-22
	CL2-16DI(N-3)-16DO(N-3)	CC-link 16-Channel Digital Input (NPN), 16-Channel Digital Output (NPN) 3-position E-CON connector	04-33-42
	CL2-16DI(P-3)-16DI(P-3)	CC-link 32-channel digital input (PNP), 3-position E-CON connector	04-33-33
	CL2-16DI(N-3)-16DI(N-3)	CC-link 32-channel digital input (NPN), 3-position E-CON connector	04-33-44

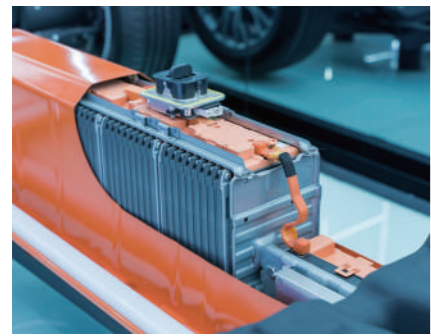
**Attachment**

Pseudolaric acid	Product Appearance	Product Description	Colour of gland	Conductor Specifications	Cable Outer Diameter	Part Numbers
KD-3W-0.8K-A24		3 Bits E-CON Quick Connect Plugs	Violet	AWG24-26 0.13-0.21mm <sup>2</sup>	Φ0.6-0.8	10-00-08
KD-3W-1.0K-A24		3 Bits E-CON Quick Connect Plugs	Red	AWG24-26 0.13-0.21mm <sup>2</sup>	Φ0.8-1.0	10-00-09
KD-3W-1.6K-A22		3 Bits E-CON Quick Connect Plugs	Yellow	AWG20-22 0.32-0.50mm <sup>2</sup>	Φ1.2-1.6	10-00-10
KD-3W-2.0K-A22		3 Bits E-CON Quick Connect Plugs	Grey	AWG20-22 0.32-0.50mm <sup>2</sup>	Φ1.6-2.0	10-00-11
KZ-3W-0.8K-A24		3 Bits E-CON Quick Connect Plugs	Violet	AWG24-26 0.13-0.21mm <sup>2</sup>	Φ0.6-0.8	10-00-12
KZ-3W-1.0K-A24		3 Bits E-CON Quick Connect Plugs	Red	AWG24-26 0.13-0.21mm <sup>2</sup>	Φ0.8-1.0	10-00-13
KZ-3W-1.6K-A22		3 Bits E-CON Quick Connect Plugs	Yellow	AWG20-22 0.32-0.50mm <sup>2</sup>	Φ1.2-1.6	10-00-14
KZ-3W-2.0K-A22		3 Bits E-CON Quick Connect Plugs	Grey	AWG20-22 0.32-0.50mm <sup>2</sup>	Φ1.6-2.0	10-00-15

Pseudolaric acid	Product Appearance	Product Model	Product Description	Part Numbers
Dust Cover		RS-C1	Dust cover for RS series single slot modules	10-04-01
Dust Cover		RS-C2	Dust Cover for RS Series Dual Slot Modules	10-04-02

## Product Application Industry

Decowell Automation's various industrial communication products can be widely used in new energy, 3C electronics, logistics, automotive, semiconductor, food, medicine, packaging, railway Transportation, machine tools, home appliances, laser,equipment manufacturing, petrochemical, iron and steel, electric power, water conservancy, environmental protection, construction and other fields, won the favour of the majority of customers!



New Energy Industry



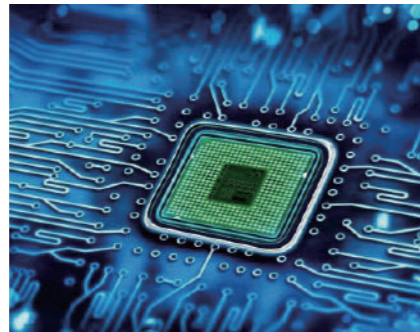
3C Electronics Industry



logistics Industry



Automotive Manufacturing Industry



Semiconductor Industry



Food Industry



Pharmaceutical Industry



Packaging Industry



Power Industry

## Our Services

### Sales Support

Decowell automation sales engineers have received professional technical training, with extensive product knowledge and a wealth of experience in industry applications, according to customer site requirements to quickly develop solutions.

### After-Sales Service

Decowell Automation provides perfect after-sales service, our professional after-sales personnel can promptly go to the customer's site for troubleshooting.

### On-Site Services

Decowell Automation's service network is nationwide, we provide free prototype testing and on-site installation support and maintenance training, and can quickly arrive at the site to serve our customers when they need it.

